

# PLUXO

10-06-2015

## 3.0 LED111

LED 3x13W | 220-240V | 50-60Hz | AC-COB 3-step | phase-cut dim

CE IP20 960° 0,3m P 38° 45°/45° 45°/45°

white texture  
silver / grey  
black texture

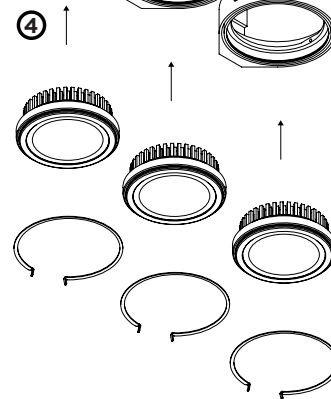
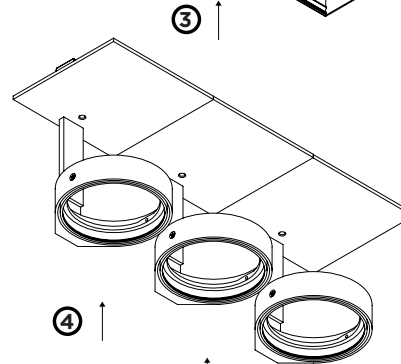
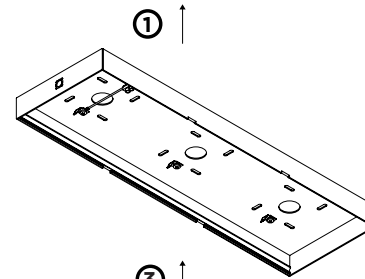
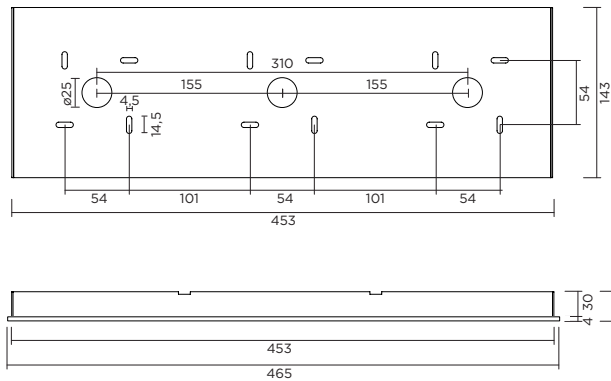
143368W\_  
143368S\_  
143368B\_

### OPTIONAL

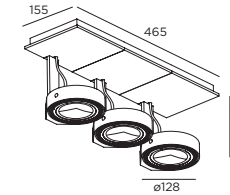
2700K | >80CRI | 640lm  
3000K | >80CRI | 680lm

2  
4

ceiling base dimensions



## DIMENSIONS



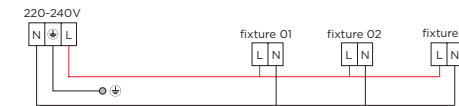
## MOUNTING INSTRUCTION

- 1 Mount the ceiling base to the ceiling with screws

## POWER CONNECTION

- 2 Connect per PLUXO fixture the earthing wire to the slider on the ceiling base.

### PARALLEL CONNECTION



Connect the LED modules

Short cables and connectors for through wiring are included.

- 3 Click the PLUXO on the ceiling base
- 4 Insert the lamp in lampring and fix with spring



WEVER & DUCRÉ  
LIGHTING

[www.weverducre.com](http://www.weverducre.com)

INSTALLATION  
INSTRUCTIONS