

PLUXO

MOUNTING INSTRUCTION

03-12-2015

2.0 LED

LED 2x8W | 220-240V | 50-60Hz | COB 2-step | incl. PS | phase-cut dim

CE IP20 960° 0,3m 36° 45°/45° 10°

white texture	142264W_
silver / grey	142264S_
black texture	142264B_

LIGHT COLOUR

2700K >80CRI 2x480lm	2
3000K >80CRI 2x480lm	4

2.0 PAR16

2xPAR16 max. 50W | GU10 | 220-240VAC | 50-60Hz

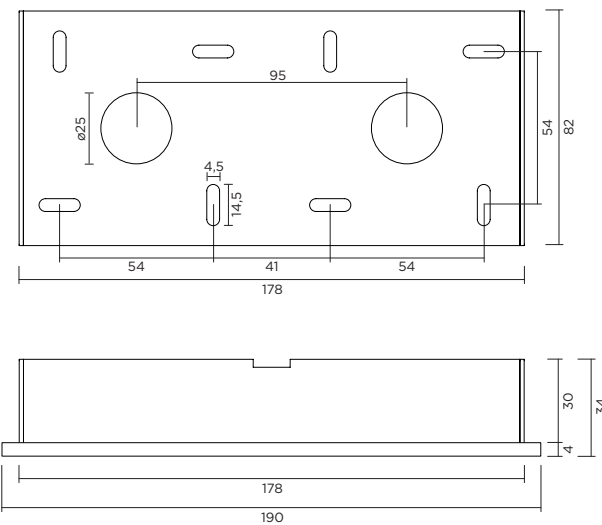
CE IP20 960° 0,3m 36° 45°/45° 10°

white texture	142220W0
silver / grey	142220S0
black texture	142220B0

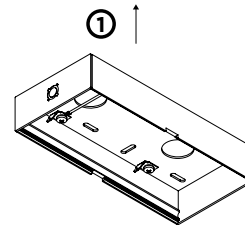
OPTIONAL

for PAR16 lamps see our catalogue

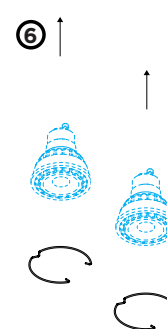
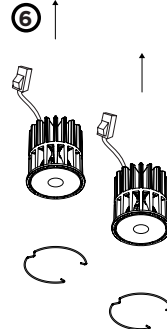
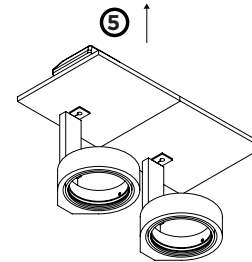
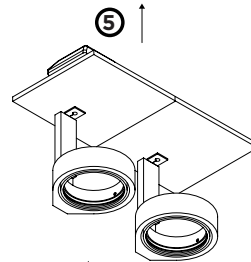
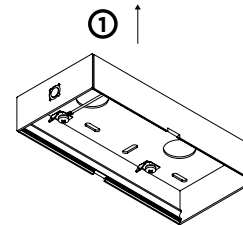
ceiling base dimensions



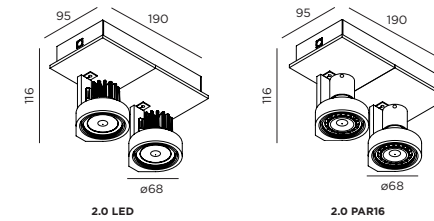
2.0 LED



2.0 PAR16



DIMENSIONS



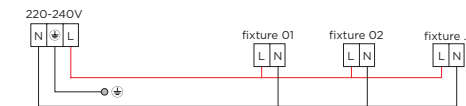
MOUNTING INSTRUCTION

- Mount the ceiling base to the ceiling with screws.

POWER CONNECTION

- Connect per PLUXO fixture the earthing wire to the slider on the ceiling base.

PARALLEL CONNECTION



- Connect the LED modules to the terminal blocks on the fixture.
- Connect the PLUXO fixtures to each other with the included through wiring cables.
- Click the PLUXO on the ceiling base.
- Insert the lamp and fix with spring.



WEVER & DUCRÉ
LIGHTING

www.weverducre.com

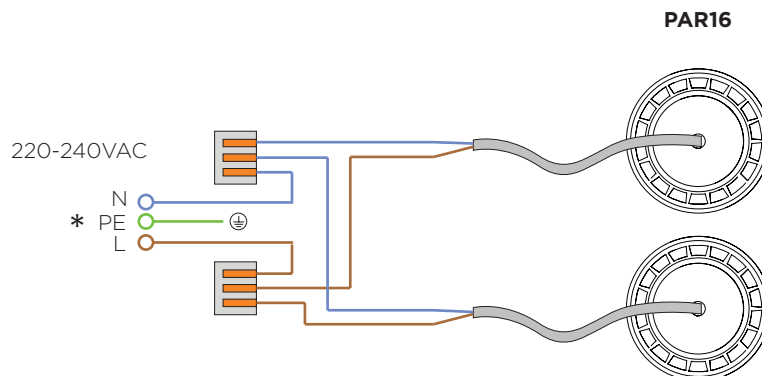
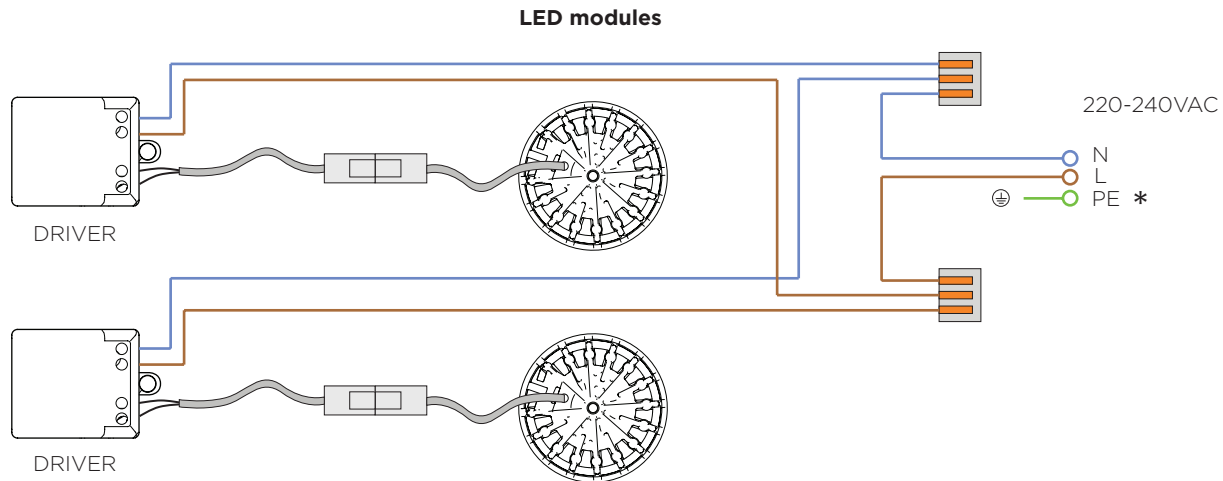
INSTALLATION
INSTRUCTIONS

PAGE 1/4

PLUXO

POWER CONNECTION

03-12-2015



POWER CONNECTION

* Connect per PLUXO fixture the earthing wire to the slider on the ceiling base.

LED module

Connect the LED modules to the terminal blocks on the fixture. Now the LED modules are connected to the drivers. Connect the input of the drivers to 220-240VAC like mentioned on the illustration.

PAR16

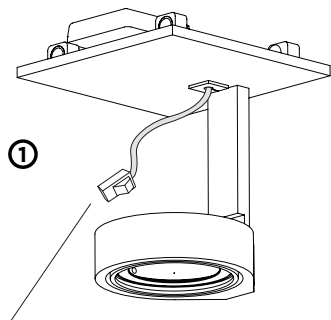
Connect the PAR16's directly to 220-240VAC like mentioned on the illustration.



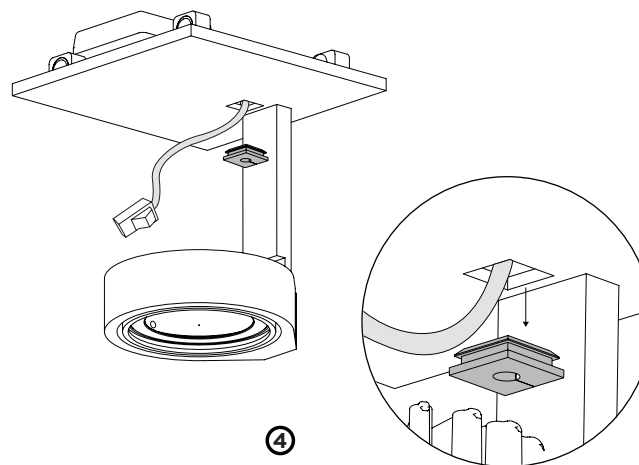
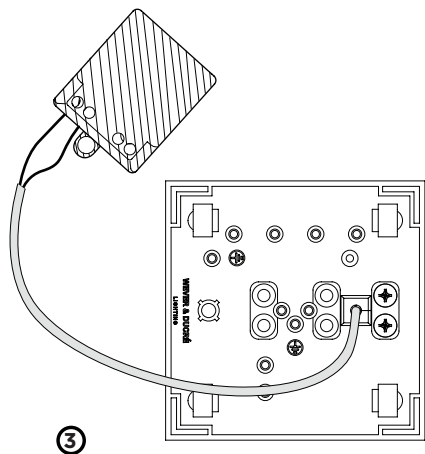
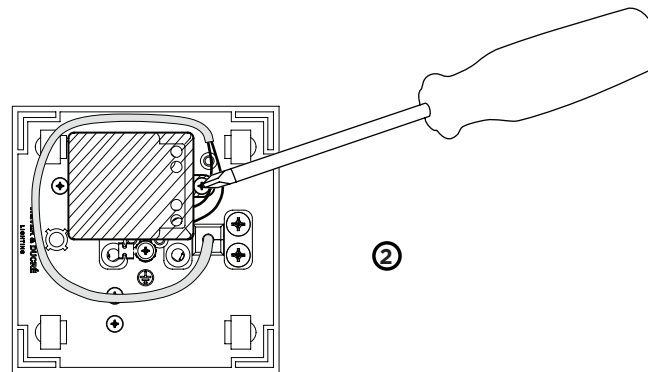
PLUXO

HOW TO PUT CONNECTOR IN CEILING BASE

03-12-2015



Connector from power supply.



HOW TO PUT CABLE & CONNECTOR IN THE CEILING BASE?

For example we take the LED version.

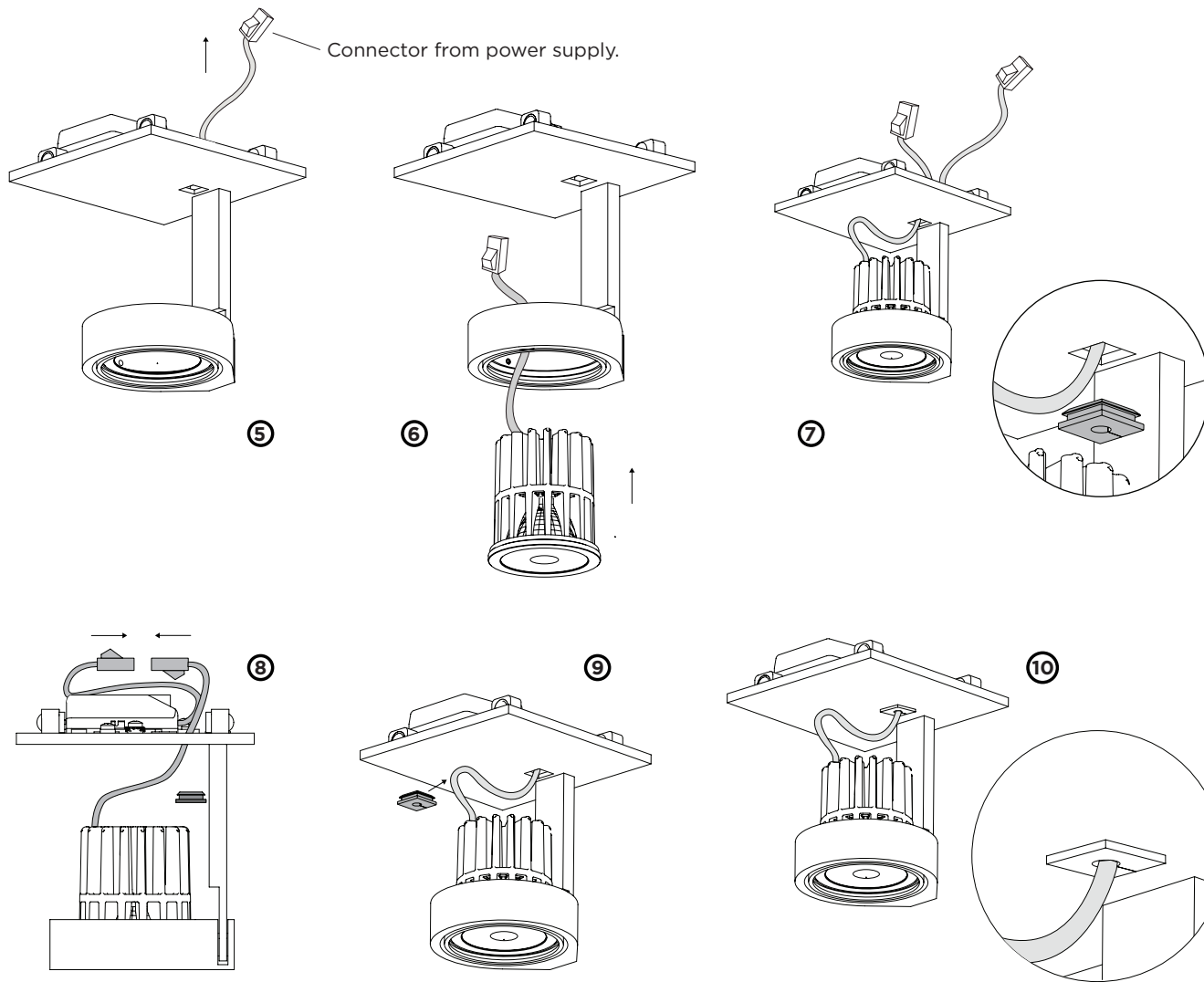
- ① Unpack the fixture from the packaging. With the LED version you'll see that the connector is placed at the visible side of the fixture.
- ② Unscrew the screws that hold the power supply at its place.
- ③ Remove the power supply so you have enough space to remove the rubber gasket.
- ④ Remove the small rubber gasket.



PLUXO

HOW TO PUT CONNECTOR IN CEILING BASE

03-12-2015



HOW TO PUT CABLE & CONNECTOR IN THE CEILING BASE?

- ⑤ Pull the cable with connector, from the power supply, upwards through the opening.
- ⑥ Connect the LED module on the fixture.
- ⑦ Pull the cable with connector, from the LED module, upwards through the opening. Keep in mind that there are labels attached to this cable. Also pull these labels through the opening.
- ⑧ Connect both connectors to each other. (LED module - power supply)
- ⑨ Put the rubber gasket back on the wire.
- ⑩ Fixate the rubber gasket back in the hole of the fixture.

Don't forget to place the power supply back on the fixture by screws.

