

OBOQ SQUARE

09-05-2016

1.0 LED111

LED 13W | 220-240V | 50-60Hz | AC-COB 3-step | phase-cut dim

CE IP20 960°C 0,3m E 38° 25°/25° 365°

white texture + gold	120268J
white texture + black	120268E
black texture + gold	120268K

LIGHT COLOUR

2700K >80CRI 640lm	2
3000K >80CRI 680lm	4

1.0 QR111

QR111 max. 75W | G53 | 12V | excl. transformer

CE IP20 960°C 0,9m E 25°/25° 365°

white texture + gold	120230J0
white texture + black	120230E0
black texture + gold	120230K0

ALWAYS USE

for transformers see our catalogue

1.0 HIR111

HIR-CE111 35/70W | GX8.5 | 220-240VAC | 50-60Hz | excl. ballast

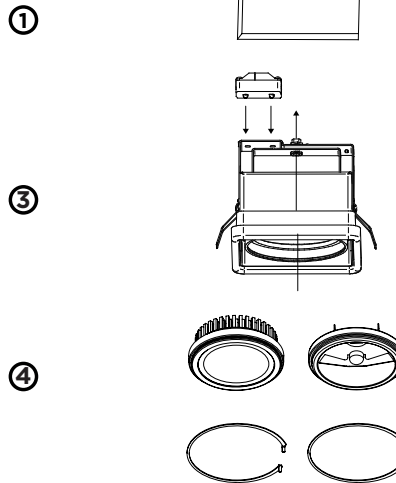
CE IP20 960°C 0,7m E 25°/25° 365°

white texture + gold	1202H0J0
white texture + black	1202H0E0
black texture + gold	1202H0K0

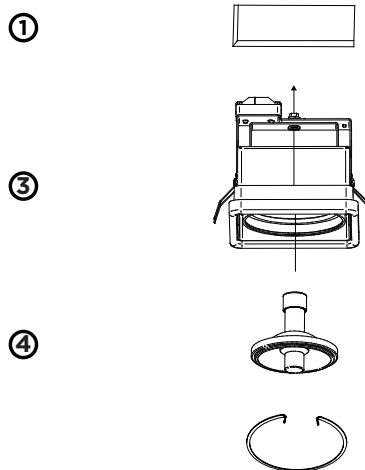
ALWAYS USE

for electronic ballasts see our catalogue

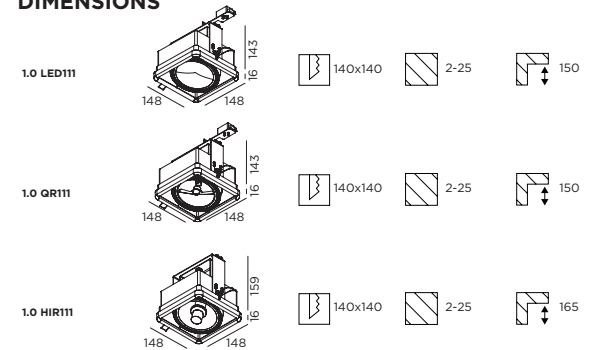
1.0 LED111 | 1.0 QR111



1.0 HIR111



DIMENSIONS



MOUNTING INSTRUCTION

- 1 Make a hole in the ceiling according to the prescribed dimensions.

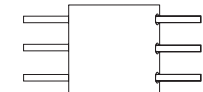
POWER CONNECTION

- 2 for LED111 | QR111



Click the connector set on the housing.
Put the cable through the middle hole (see indicated arrow), so that rotation is still possible, and connect to the connector.

for HIR111



Connector set is already on the housing

- 3 Turn the springs upwards and insert the fixture in the hole
- 4 Place the LED/LAMP and fix with spring



WEVER & DUCRÉ
LIGHTING

www.weverducre.com

INSTALLATION
INSTRUCTIONS