

MOON

15-July-2016

1.0

LED 8W | 220-240VAC | 50-60Hz | COB 2-step | incl. PS | phase-cut dim

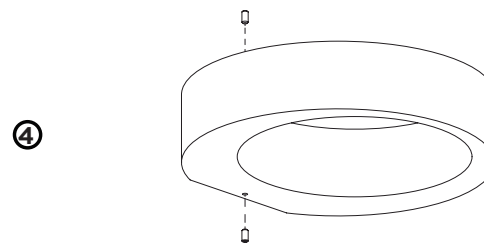
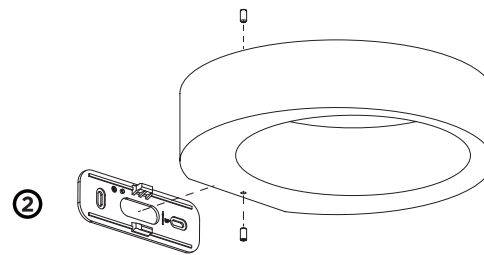
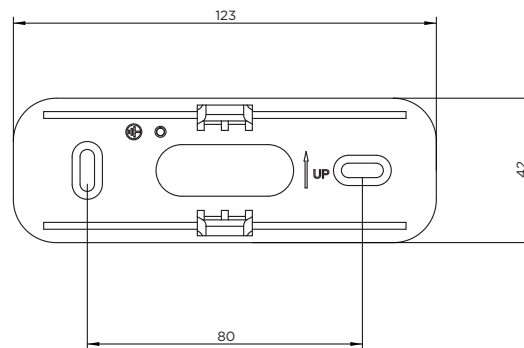
CE IP20 Γ 0.3m P L

3000K | >80CRI | 480lm

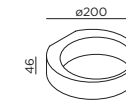
white texture
aluminium brushed

308174W4
308174L4

back plate dimensions



DIMENSIONS



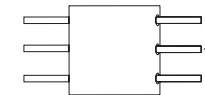
MOUNTING INSTRUCTION

- 1 Remove the lamp base
- 2 Fixate the back plate to the wall with screws.

POWER CONNECTION

- 3 Connect the power supply.

Interior: STANDARD version



- 4 fixate the lamp base back to the back plate.



WEVER & DUCRÉ
LIGHTING

www.weverducre.com

Wever & Ducre bvba Kwadestraat 153 bus 2.1 8800 Roeselare

INSTALLATION
INSTRUCTIONS