

MILES

31-Mar.-2017

9.0

LED 30W | 220-240VAC | 50-60Hz | COB 3-step | incl. PS | phase-cut dim

CE IP20 0.3m

3000K | >80CRI | 1600lm

white texture
aluminium brushed
black texture

317274W4

317274L4

317274B4

12.0

LED 38W | 220-240VAC | 50-60Hz | COB 3-step | incl. PS | phase-cut dim

CE IP20 0.3m

3000K | >80CRI | 2200lm

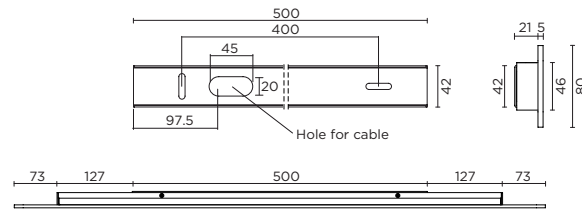
white texture
aluminium brushed
black texture

317374W4

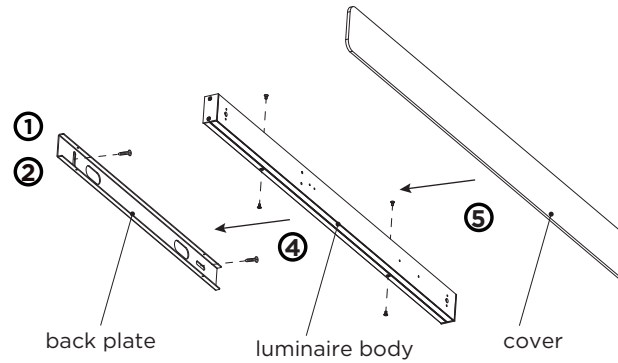
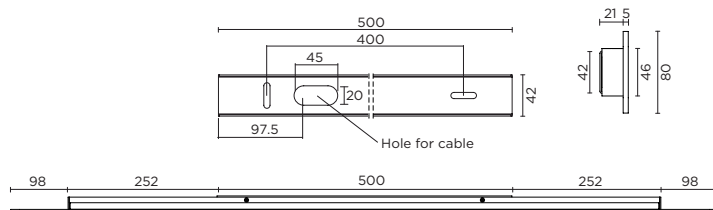
317374L4

317374B4

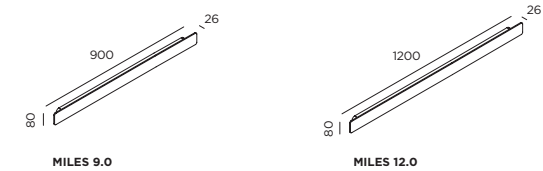
9.0 - back plate & luminaire dimensions



12.0 - back plate & luminaire dimensions



DIMENSIONS



MILES 9.0

MILES 12.0

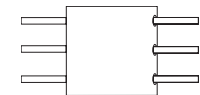
MOUNTING INSTRUCTION

- 1 Remove the back plate from the Luminaire body.
- 2 Fixate the back plate to the wall with 2 screws

POWER CONNECTION

- 3 Connect the power supply

Interior: STANDARD version



- 4 Fixate the luminaire body to the back plate with 4 screws.
- 5 Mount the light cover on the Luminaire body by pressing.



WEVER & DUCRÉ
LIGHTING

www.weverducre.com

Wever & Ducre bvba Kwadestraat 153 bus 2.1 8800 Roeselare

**INSTALLATION
INSTRUCTIONS**