

HIDE

GENERAL OVERVIEW

18-02-2016

1.0 LED111

LED 13W | 220-240V | 50-60Hz | AC-COB 3-step | phase-cut dim

CE IP20 960° 0,3m 45°/45° 45°/45°

2700K | >80CRI | 640lm

white texture	117268W2
silver / grey	117268S2
black texture	11268B2

3000K | >80CRI | 680lm

white texture	117268W4
silver / grey	117268S4
black texture	117268B4

ALWAYS USE
recessed housing + plaster kit

1.0 QR111

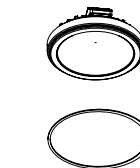
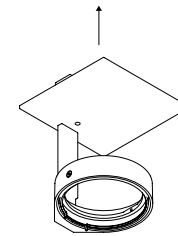
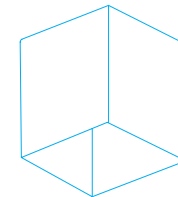
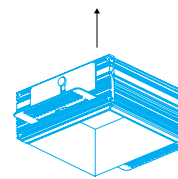
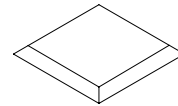
QR111 max. 75W | G53 | 12V | excl. transformer

CE IP20 960° 0,9m 45°/45° 45°/45° DO NOT COVER

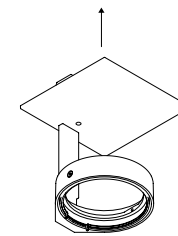
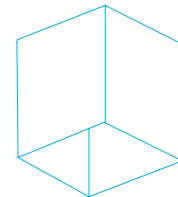
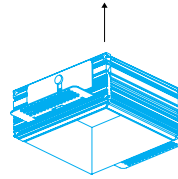
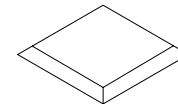
white texture	117230W0
silver / grey	117230S0
black texture	117230B0

ALWAYS USE
recessed housing + plaster kit
for transformers see our catalogue

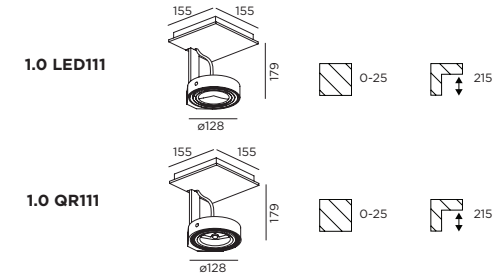
1.0 LED111



1.0 QR111

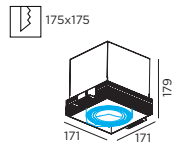


DIMENSIONS

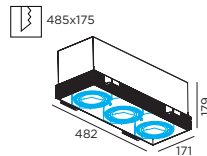


ALWAYS USE: RECESSED HOUSING + PLASTER KIT

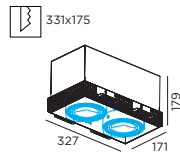
1 LAMP
90012013 / 90012021



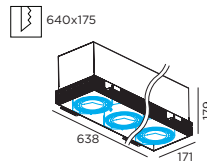
3 LAMPS
90012015 / 90012023



2 LAMPS
90012014 / 90012022



4 LAMPS
90012016 / 90012024



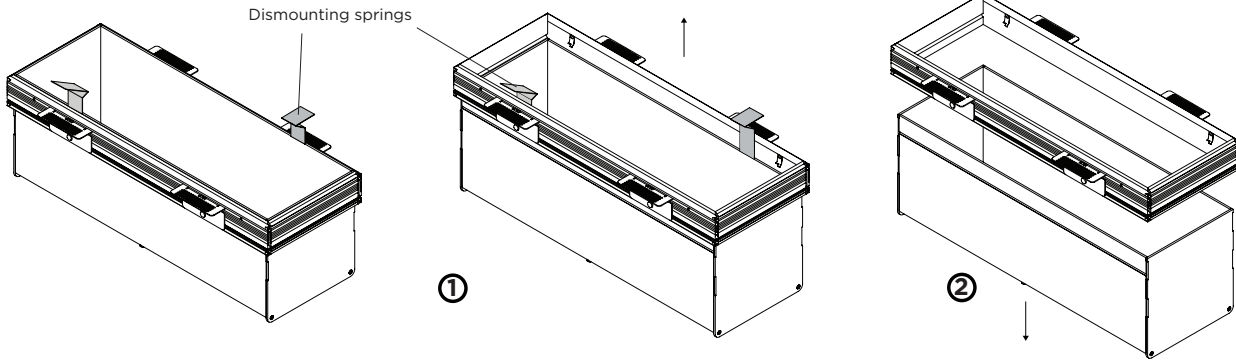
HIDE

DETAILED MOUNTING INSTRUCTION

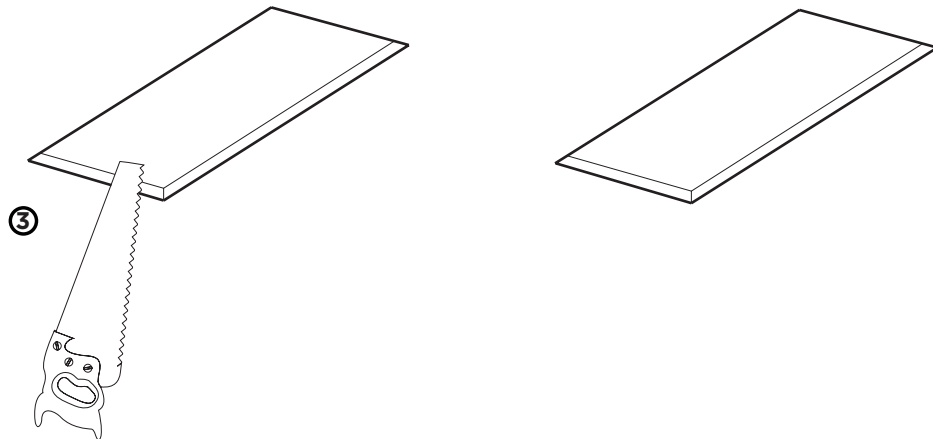
18-02-2016

DETAILED MOUNTING INSTRUCTION: For example we use the HIDE LED 3 LAMPS.

Plasterkit and recessed housing are already assembled.
First you will need to disassemble the plasterkit from the recessed housing with the dismounting springs.

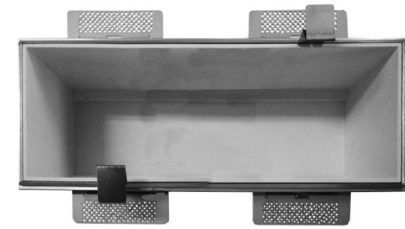


Make a hole in the ceiling according to the prescribed dimensions.



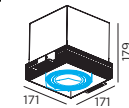
DETAILED MOUNTING INSTRUCTION

- ① Insert the dismounting spring into the gap between the plaster kit and the recessed housing.
- ② Remove the plaster kit from the recessed housing with the dismounting springs.

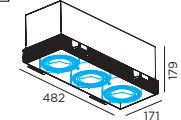


- ③ Make a hole in the ceiling according to the prescribed dimensions (always use recessed housing + plaster kit).

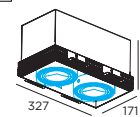
1 LAMP
90012013 / 90012021



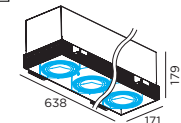
3 LAMPS
90012015 / 90012023



2 LAMPS
90012014 / 90012022



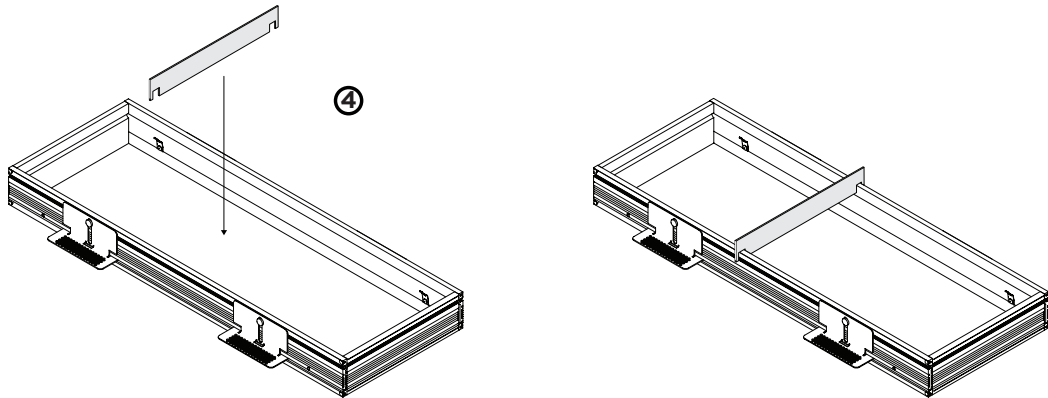
4 LAMPS
90012016 / 90012024



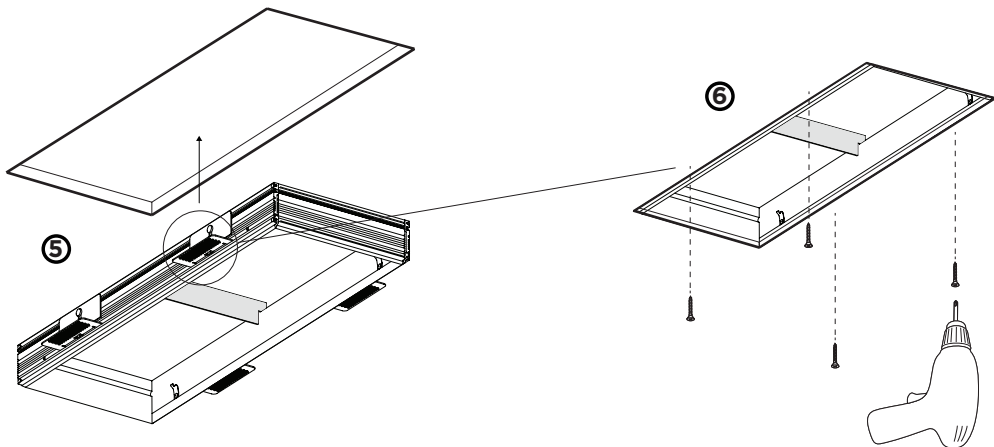
HIDE

DETAILED MOUNTING INSTRUCTION
18-02-2016

DETAILED MOUNTING INSTRUCTION.
For example we use the HIDE LED 3 LAMPS.



Now you can insert the plaster kit into the hole in the ceiling.



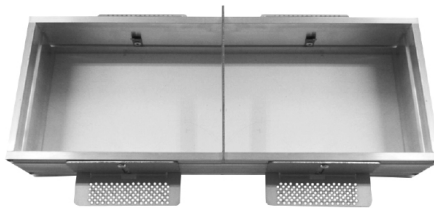
④ Put the mounting tool on the plaster kit, in case of the plaster kit deformation after fix the plaster kit on the ceiling.

Mounting tool

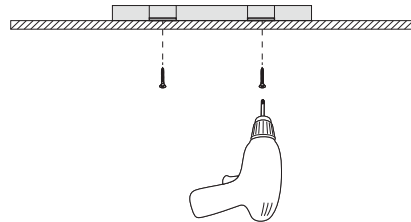


⑤ Place the plaster kit into the hole in the ceiling. Do not remove the mounting tool.

Insert the plaster kit housing into the ceiling with the mounting tool to prevent deformation. Remove the mounting tool before plastering.



⑥ Fix the recessed housing to the ceiling by screwing through the ceiling into the metal perforated parts.



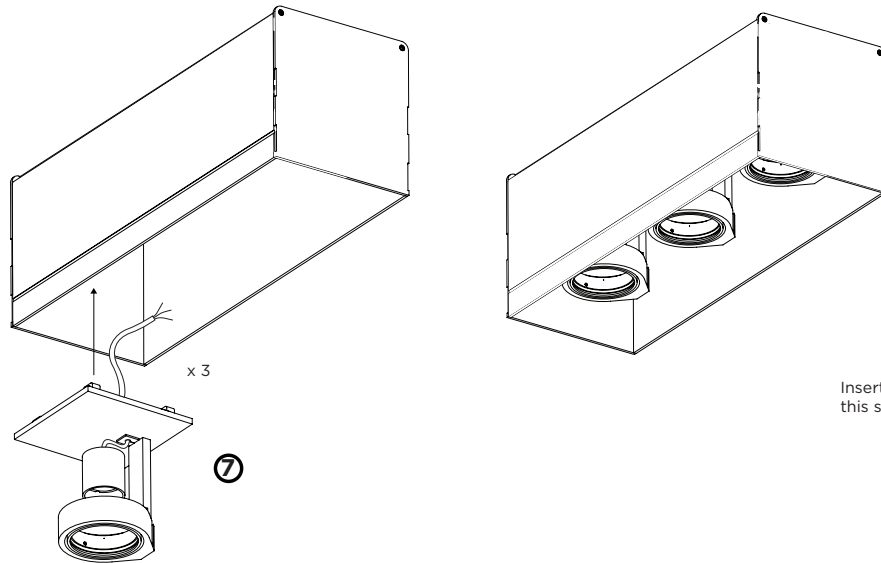
HIDE

DETAILED MOUNTING INSTRUCTION

18-02-2016

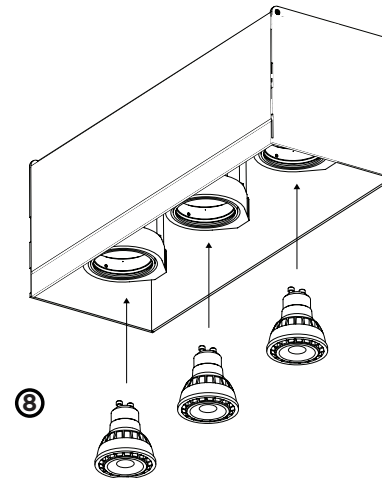
DETAILED MOUNTING INSTRUCTION: For example we use the HIDE LED 3 LAMPS.

Before inserting the recessed housing into the ceiling, the fixtures needs to be installed first into this recessed housing.

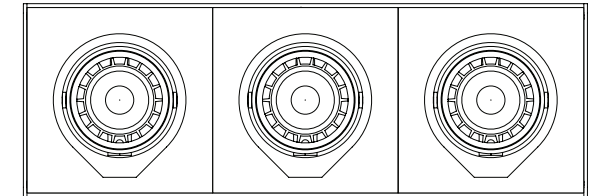


Insert each fixture into the recessed housing.
Afterwards make the connection between each fixture.

Insert the PAR16 lamps (If you have the LED version, this step is not necessary).



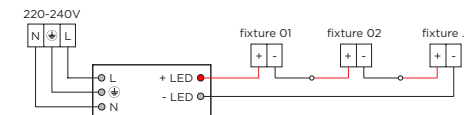
- ⑦ Insert the 3 x PAR16 modules or LED-modules into the recessed housing and fix with the ball catch system (until you hear a click).
- ⑧ Insert the PAR16 lamps in each module with spring.



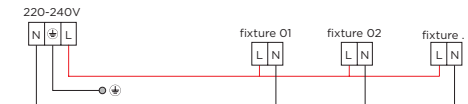
POWER CONNECTION

SERIAL CONNECTION - for LED

Always use POWER SUPPLY according to the specifications of the LED-module



PARALLEL CONNECTION - for PAR16

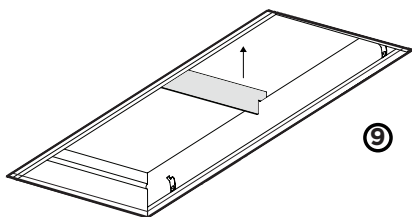


HIDE

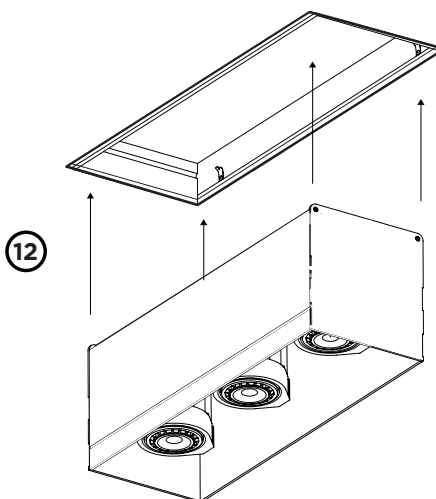
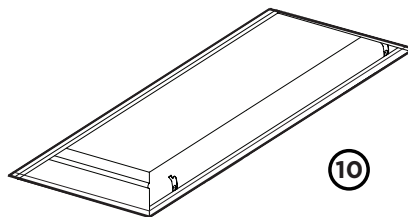
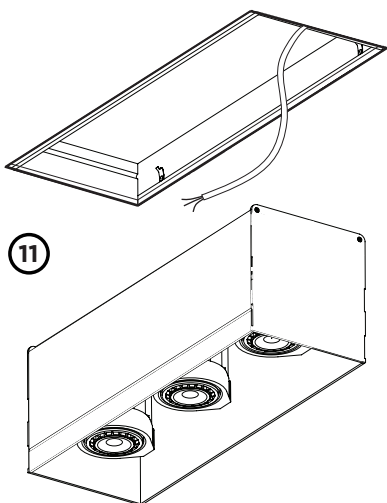
DETAILED MOUNTING INSTRUCTION
18-02-2016

DETAILED MOUNTING INSTRUCTION. For example we use the HIDE LED 3 LAMPS.

Remove the mounting tool when plaster kit is fixed on the ceiling.



Now you can insert the recessed housing (with the connected fixtures) into the ceiling on the plaster kit but first connect the power supply to the fixtures.



- ⑨ Remove the mounting tool when the plaster kit is fixed on the ceiling,
- ⑩ Apply plaster around the plaster kit.
- ⑪ Connect the power supply to the fixtures.
- ⑫ Keep both sides at the same level when mounting the recessed housing on the plaster kit.

RESULT

