

ATIM CARRÉ

12-06-2015

1.0 LED

LED 6W | 220-240VAC | 50-60Hz | PCB 3-step | incl. PS | phase-cut dim

CE IP65 960°C 0,3m 10

3000K | >80CRI | 380lm

inox

71028414

OPTIONAL

louvre

90019105

2.0 TCR

TCR-TSE 7W | GX53 | 220-240VAC | 50-60Hz

CE IP65 960°C 0,5m 10

inox

7102P010

OPTIONAL

louvre

for TCR-TSE lamps see our catalogue

90019105

Installation with a border of 8mm



Make an opening:
108x108mm
depth = 78mm



Make the necessary
openings for the
wires in the recessed
box.



Install the recessed box flush with the
finished wall. The mounting frame comes
8mm out of the recessed box and keeps the
4 sides flat during fixation



Take out the mounting frame, fix the
housing on the recessed box, insert the
lamp (only for ATIM CARRÉ 2.0 TC-R),
tempered glass and close the cover
with the 4 stainless steel screws.

Trimless installation



Make an opening:
108x108mm
depth = 86mm



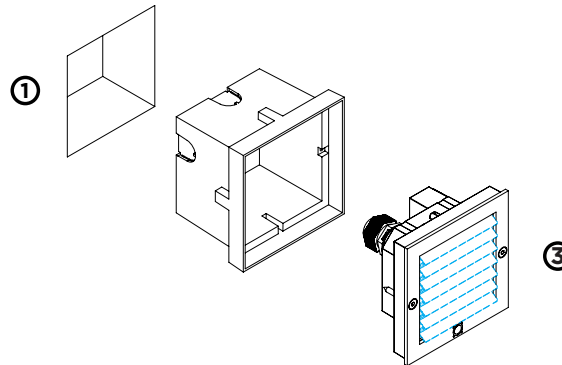
Make the necessary
openings for the
wires in the recessed
box.



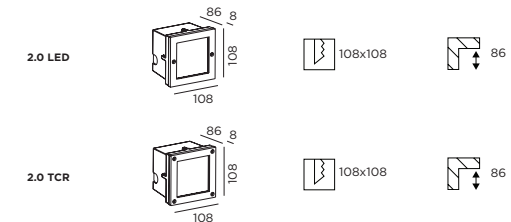
Install the mounting frame, which has to be
inserted into the recessed box, flush with the
finished wall.



Take out the mounting frame, fix the
housing on the recessed box, insert the
lamp (only for ATIM CARRÉ 2.0 TC-R),
tempered glass and close the cover
with the 4 stainless steel screws.



DIMENSIONS



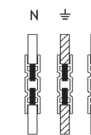
MOUNTING INSTRUCTION

- 1 Make a hole in the ceiling according to the prescribed dimensions.

POWER CONNECTION

- 2 Connect

Exterior: WATERPROOF Connection



- 3 Insert the fixture in the hole
- 4 For ATIM CARRÉ 2.0 TCR version:
Loosen the screws to remove the cover, insert the
TCR-lamp and close the cover.



WEVER & DUCRÉ
LIGHTING

www.weverducre.com

INSTALLATION
INSTRUCTIONS