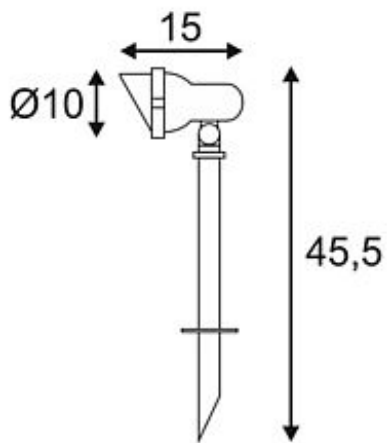


EASYLITE SPIKE GU10

stonegrey , max. 50W, IP43

Article number	230545
Catalogue	BIG WHITE 2015, Page 541
Type of lamp	Conventional lamp
Lamp	GU10 230V max. 50W
Lampholder / Socket	GU10
Number of light sources	1
Lamp included	No
Tilt range	160 Degree
Height	45.5 cm
Net weight	0.911 kg
Gross weight	0.917 kg
Voltage	230 Volt
Max. wattage	50 Watt
Protection class	I
Material	aluminium
Colour	grey
Way of mounting	mobile
Remark 1	Head (Ø / L): 10 / 15 cm
Remark 2	120 cm connection lead with plug included
Remark 3	Spike H: 15 cm
Remark 4	Energy labels in your language are available in the Service Area sub point Download
Suitable for lamps from EEC	E
Suitable for lamps up to EEC	A++
Type of plug	2 pin schuko plug (IP)
Light distribution type 1	direct



Aluminum spike luminaire of the EASYLITE SPOT series for floor, wall or ceiling mounting. Mounted to the extension rod the lamp head is adjustable for individual illumination. Rated IP43 it is suitable for outdoor use. The electrical connection is made directly to 230V mains supply via the incorporated connection lead with mains plug. The EASYLITE SPOT series further includes versions for discharge, low-voltage halogen and energy-saving lamps. This luminaire is compatible with bulbs of the energy classes: E - A++