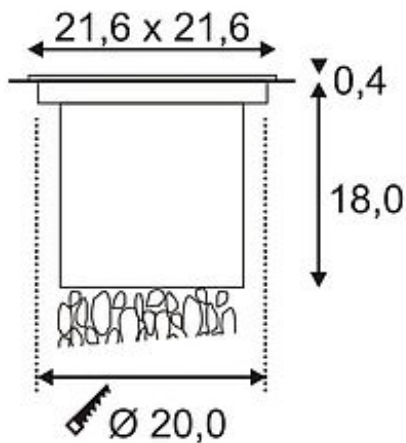


DASAR MODULE LED recessed spot

square, stainl. steel for Philips LED Twistable module

Article number	230164
Catalogue	BIG WHITE 2015, Page 667
Type of lamp	LED lamp
Lamp	Philips Fortimo LED Twistable Module
Lampholder / Socket	PHJ65-d
Number of light sources	1
Lamp included	No
Installation diameter	20 cm
Installation depth	18 cm
Length	21.6 cm
Width	21.6 cm
Height	16 cm
Net weight	3.343 kg
Gross weight	1.618 kg
Voltage	230 Volt
Max. wattage	20 Watt
Protection class	I
Beam angle	120 Degree
Material	aluminium / glass
Colour	stainless steel
Way of mounting	recessed ground mounting
Remark 1	Through-wiring is possible
Remark 2	Constucted for the Philips Fortimo LED twistable module 560201 / -2
Remark 3	Weigth capacity 2 tons
Remark 4	Energy labels in your language are available in the Service Area sub point Download
Suitable for lamps from EEC	A
Suitable for lamps up to EEC	A
Light distribution type 1	direct



Light distribution type 3 rotationally symmetric

The walkable recessed ground luminaire with a round stainless steel bezel and clear glass cover is equipped with the Philips Fortimo LED Twistable module providing 1.100 lumens. Rated IP67, it is suitable for outdoor use. Available in different colour versions, the electrical connection is made directly to 230V mains supply. For simplified mounting, a suitable installation housing is included. Through-wiring is possible. This luminaire is compatible with bulbs of the energy classes: A - A