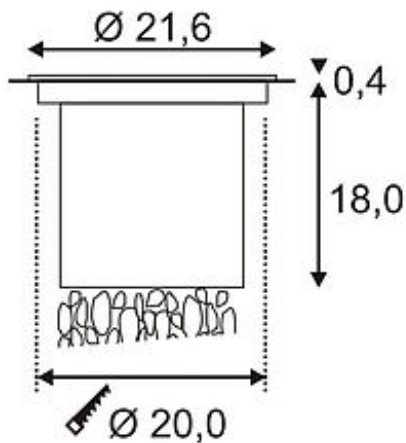


DASAR MODULE LED recessed spot

round, stainl. steel, for Philips LED Twistable module

Article number	230160
Catalogue	BIG WHITE 2015, Page 667
Type of lamp	LED lamp
Lamp	Philips Fortimo LED Twistable Module
Lampholder / Socket	PHJ65-d
Number of light sources	1
Lamp included	No
Installation diameter	20 cm
Installation depth	18 cm
Height	16 cm
Diameter	21.6 cm
Net weight	3.053 kg
Gross weight	1.589 kg
Voltage	230 Volt
Max. wattage	20 Watt
Protection class	I
Beam angle	120 Degree
Material	aluminium / glass
Colour	stainless steel
Way of mounting	recessed ground mounting
Remark 1	Through-wiring is possible
Remark 2	Constucted for the Philips Fortimo LED twistable module 560201 / -2
Remark 3	Weigth capacity 2 tons
Remark 4	Energy labels in your language are available in the Service Area sub point Download
Suitable for lamps from EEC	A
Suitable for lamps up to EEC	A
Light distribution type 1	direct
Light distribution type 3	rotationally symmetric



The walkable recessed ground luminaire with a round stainless steel bezel and clear glass cover is equipped with the Philips Fortimo LED Twistable module providing 1.100 lumens. Rated IP67, it is suitable for outdoor use. Available in different colour versions, the electrical connection is made directly to 230V mains supply. For simplified mounting, a suitable installation housing is included. Through-wiring is possible. This luminaire is compatible with bulbs of the energy classes: A - A