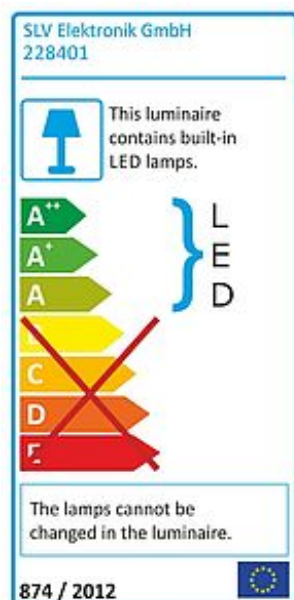


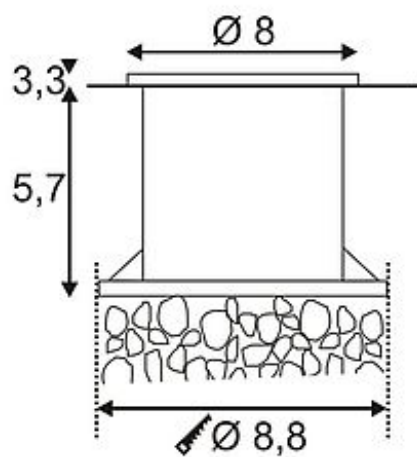


DASAR FLAT LED recessed ground spot

stainless steel 304 brushed, 0,8W, white, IP67

Article number	228401
Catalogue	BIG WHITE 2015, Page 665
Type of lamp	LED lamp
Lamp	SMD LED
Number of light sources	6
Lamp included	Yes
Installation diameter	7 cm
Installation depth	5.7 cm
Height	4.8 cm
Diameter	8 cm
Net weight	0.368 kg
Gross weight	1.032 kg
Voltage	12 Volt
Max. wattage	0.8 Watt
Protection class	III
Material	stainless steel 316
Colour	stainless steel brushed
Way of mounting	recessed ground mounting
Remark 1	Operate with conventional transformers only
Remark 2	200 cm connection lead and mounting pot included
Remark 3	Energy labels in your language are available in the Service Area sub point Download
Average lifespan	30000 Hours
Colour temperature	6500 Kelvin
Colour rendering index	>80
Luminous flux	25 lm
Suitable for lamps from EEC	A
Suitable for lamps up to EEC	A++
Light distribution type 1	direct





The low-voltage recessed ground luminaire with round stainless steel bezel and frosted glass cover is equipped with several LED. The fitting is available in different colour versions and rated IP67 making it suitable for outdoor use. A suitable toroidal transformer providing 12V alternating current is required for operation. A suitable installation for simplified mounting is included. This luminaire contains built-in LED lamps. EEK: A - A++. The lamps cannot be changed in the luminaire.