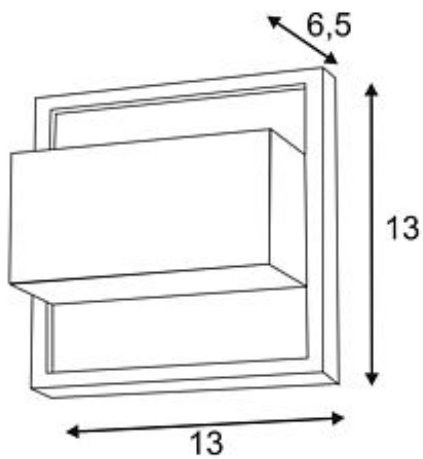


## DACU UP-DOWN LED BEAM wall lamp

square, silvergrey, 2x 1W, 2700K, IP44

|                              |   |
|------------------------------|---|
| Article number               | 227252  |
| Catalogue                    | BIG WHITE 2015, Page 599  |
| Type of lamp                 | LED lamp  |
| Lamp                         | Power LED 1W  |
| Number of light sources      | 2   |
| Lamp included                | Yes   |
| Width                        | 13 cm   |
| Height                       | 13 cm   |
| Depth                        | 6.5 cm  |
| Net weight                   | 0.551 kg  |
| Gross weight                 | 0.876 kg  |
| Voltage                      | 230 Volt  |
| Max. wattage                 | 2 Watt  |
| Protection class             | I   |
| Beam angle                   | 8/120 Degree  |
| Material                     | aluminium   |
| Colour                       | silvergrey  |
| Way of mounting              | surface wall mounting   |
| Remark 1                     | LED driver incorporated   |
| Remark 2                     | Energy labels in your language are available in the Service Area sub point Download |
| Average lifespan             | 30000 Hours   |
| Colour temperature           | 2700 Kelvin   |
| Colour rendering index       | 85  |
| Luminous flux                | 73 lm   |
| Suitable for lamps from EEC  | A   |
| Suitable for lamps up to EEC | A++   |
| Light distribution type 1    | direct-indirect   |



Equipped with two warmwhite Power LED, the wall luminaire DACU of the UP-DOWN series consists of aluminum and a frosted glass that covers the two oppositely arranged light outlets (UP/DOWN). Due to the different shapes of the light outlets one narrow and one wide beam is generated. The electrical connection is made directly to 230V mains supply via the incorporated driver. The DACU UP-DOWN series further includes alternative wall luminaires. Rated IP44, it is suitable for outdoor use. This luminaire contains built-in LED lamps. EEK: A - A++. The lamps cannot be changed in the luminaire.