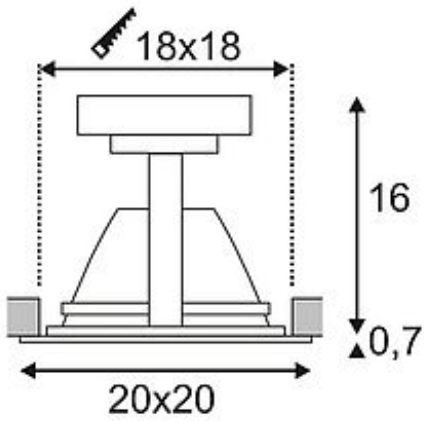


## LED DOWNLIGHT PRO ST

square, white, for Fortimo LED Twistable module, max. 20W

Article number	162451
Type of lamp	LED lamp
Lamp	Philips Fortimo LED Twistable Module
Lampholder / Socket	PHJ65-d
Number of light sources	1
Lamp included	No
Installation length	18 cm
Installation width	18 cm
Installation depth	16 cm
Length	20 cm
Width	20 cm
Height	16.7 cm
Net weight	1.023 kg
Gross weight	0.819 kg
Voltage	230 Volt
Max. wattage	20 Watt
Protection class	I
Beam angle	60 Degree
Material	aluminium / glass
Colour	white
Way of mounting	recessed ceiling mounting
Remark 1	For recessed installation in ceilings with a maximum thickness of 35 mm
Remark 2	For use of Philips Fortimo LED Twistable module (560201/02)
Remark 3	Energy labels in your language are available in the Service Area sub point Download
Suitable for lamps from EEC	A
Suitable for lamps up to EEC	A
Light distribution type 1	direct



Light distribution  
type 3

axisymmetric

The LED DOWNLIGHT PRO ST is a combination of white or silvergrey aluminium housing and most efficient LED technology from Philips. With a low consumption and its pure or warmwhite light colour, LED DOWNLIGHT PRO ST with about 1.000 lumens, is ideal to exchange high-intense halogen or incandescent lamps. The LED TWISTABLE module is interchangeable. Thanks to the incorporated driver, the downlight is suitable for direct connection to 230V mains supply. This luminaire is compatible with bulbs of the energy classes: A - A