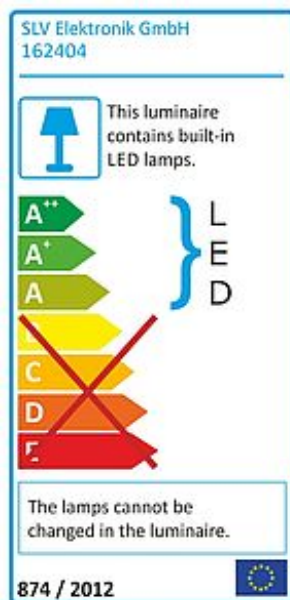
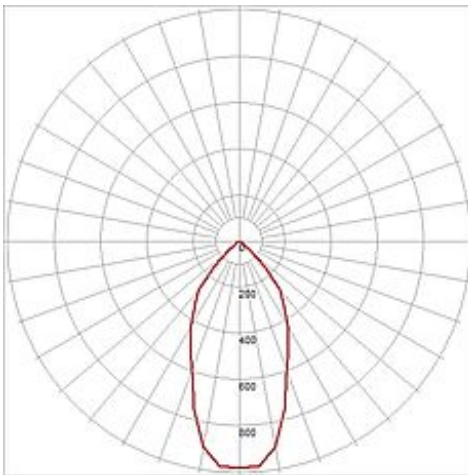
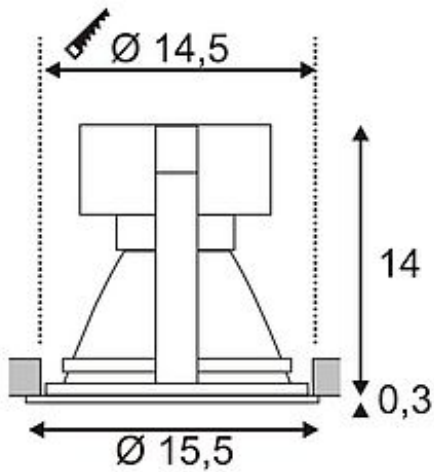


LED DOWNLIGHT PRO R

round, silvergrey, 12W, incl. LED Disk module 800lm, 2700K



| | |
|------------------------------|---|
| Article number | 162404 |
| Catalogue | BIG WHITE 2015, Page 423 |
| Type of lamp | LED lamp |
| Lamp | Philips Fortimo LED Disk Module |
| Number of light sources | 1 |
| Lamp included | Yes |
| Installation diameter | 14.5 cm |
| Installation depth | 14 cm |
| Height | 14.3 cm |
| Diameter | 15.5 cm |
| Net weight | 0.754 kg |
| Gross weight | 0.904 kg |
| Voltage | 230 Volt |
| Max. wattage | 12 Watt |
| Protection class | I |
| Beam angle | 60 Degree |
| Material | aluminium / glass |
| Colour | silvergrey |
| Way of mounting | recessed ceiling mounting |
| Remark 1 | For recessed installation in ceilings with a maximum thickness of 35 mm |
| Remark 2 | Equipped with the LED Disk module of Philips |
| Remark 3 | Energy labels in your language are available in the Service Area sub point Download |
| Average lifespan | 50000 Hours |
| Colour temperature | 2700 Kelvin |
| Colour rendering index | >80 |
| Luminous flux | 800 lm |
| Suitable for lamps from EEC | A |
| Suitable for lamps up to EEC | A++ |



Light distribution
type 1 direct

Light distribution
type 3 rotationally symmetric

The LED DOWNLIGHT PRO R is a combination of high-quality housing and most efficient LED technology from Philips. With a minimal power consumption despite its high luminous flux and its pure or warmwhite light colour, LED DOWNLIGHT PRO R is ideal to exchange high-intense halogen or incandescent lamps. The LED module is interchangeable. Thanks to the incorporated driver, the downlight is suitable for direct connection to 230V mains supply. This luminaire contains built-in LED lamps. EEK: A - A++. The lamps cannot be changed in the luminaire.