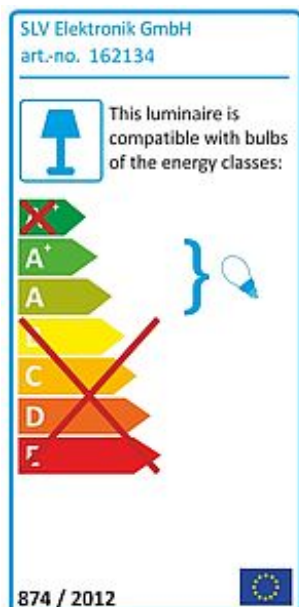
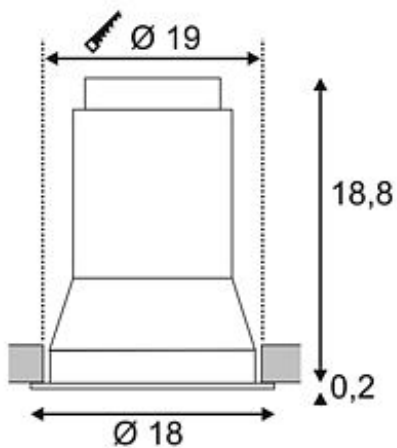


DIVIS G12 downlight deep

silvergrey, max. 150W



Article number	162134
Type of lamp	Conventional lamp
Lamp	HQI-T / CDM-T 35W - 150W
Lampholder / Socket	G12
Number of light sources	1
Lamp included	No
Installation diameter	18 cm
Installation depth	24 cm
Diameter	19 cm
Net weight	0.75 kg
Gross weight	0.772 kg
Max. wattage	150 Watt
Protection class	I
Material	aluminium
Colour	silvergrey
Way of mounting	recessed ceiling mounting
Remark 1	Only suitable for ceilings with a maximum thickness of 40 mm
Remark 2	Reflector excluded. Operate with suitable ballast only
Remark 3	Deep reflector for glare limitation
Remark 4	Energy labels in your language are available in the Service Area sub point Download
Suitable for lamps from EEC	A
Suitable for lamps up to EEC	A+
Light distribution type 1	direct
Light distribution type 3	rotationally symmetric



The DIVIS G12 downlight in round shape with glass cover is equipped with a G12 lampholder for metal halide lamps of the same type. Suitable reflectors with different beam angles are available as optional accessory. Available in the colours white and silvergrey, with higher or lower reflector position, a suitable and lamp related ballast is required for operation of DIVIS G12. This luminaire is compatible with bulbs of the energy classes: A - A+