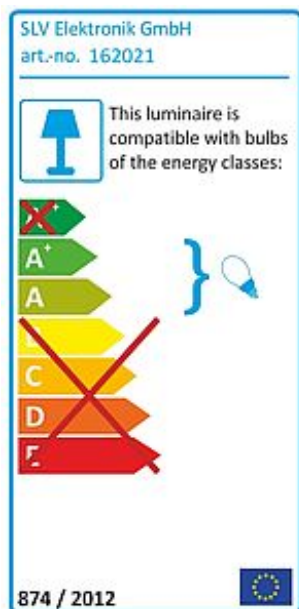


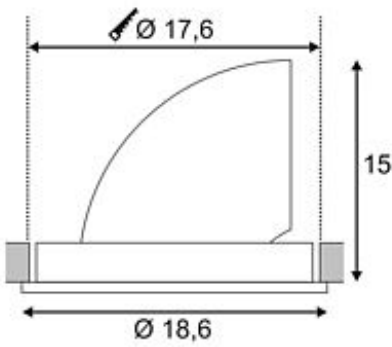
GIMBLE PRO G12 recessed luminaire

white, 35/70/150W



Article number	162021
Catalogue	BIG WHITE 2015, Page 415
Type of lamp	Conventional lamp
Lamp	HQI-T / CDM-T 35W - 150W
Lampholder / Socket	G12
Number of light sources	1
Lamp included	No
Installation diameter	17.6 cm
Installation depth	15 cm
Tilt range	85 Degree
Rotation range	355 Degree
Diameter	18.6 cm
Net weight	0.995 kg
Gross weight	1.429 kg
Max. wattage	150 Watt
Protection class	I
Material	aluminium / glass
Colour	white
Way of mounting	recessed ceiling mounting
Remark 1	Only suitable for ceilings with a maximum thickness of 40 mm
Remark 2	Suitable for mounting on normal flammable surfaces while using bulbs with max. 70W
Remark 3	Reflector excluded. Operate with suitable ballast only
Remark 4	Energy labels in your language are available in the Service Area sub point Download
Suitable for lamps from EEC	A
Suitable for lamps up to EEC	A+
Light distribution type 1	direct

Light distribution rotationally symmetric
 type 3



The GIMBLE PRO G12 recessed ceiling luminaire in round shape with glass cover is equipped with a G12 lampholder for metal halide lamps of the same type. The head of the lamp can be swivelled by 90° out of the housing. Suitable reflectors with different beam angles are available as optional accessory. Available in the colour white and silvergrey, a suitable and lamp related ballast is required for operation of GIMBLE PRO G12. This luminaire is compatible with bulbs of the energy classes: A - A+