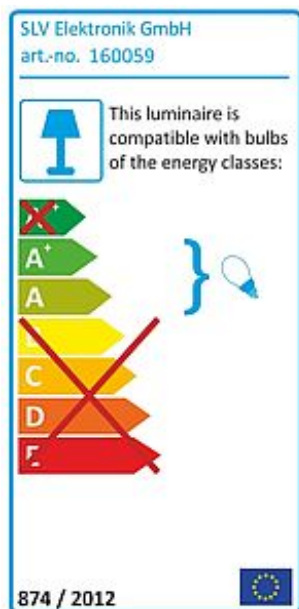
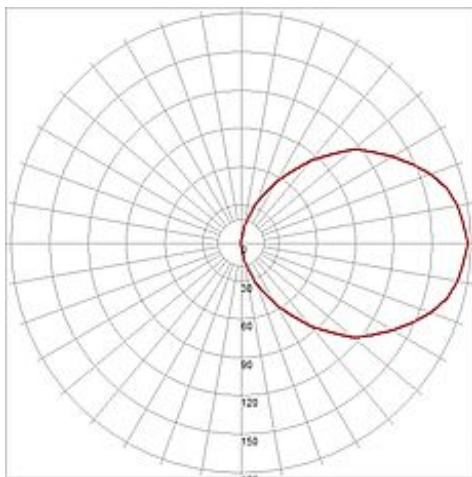


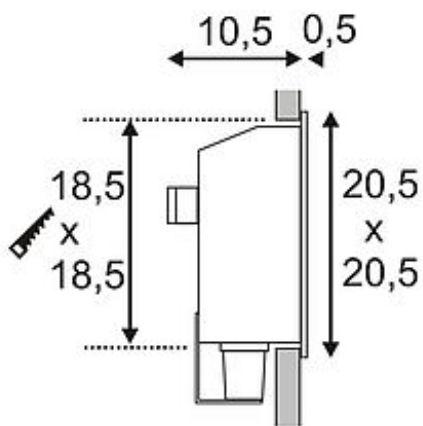


KOTAK WALL wall lamp

square, silvergrey, E27, max. 25W



Article number	160059
Type of lamp	Conventional lamp
Lamp	Energy-saving bulb E27 max. 23W
Lampholder / Socket	E27
Number of light sources	1
Lamp included	No
Installation length	18.5 cm
Installation width	18.5 cm
Installation depth	12 cm
Width	24 cm
Height	20.5 cm
Net weight	1.307 kg
Gross weight	1.665 kg
Voltage	230 Volt
Max. wattage	23 Watt
Protection class	I
Material	aluminium / steel / glass
Colour	silvergrey
Way of mounting	recessed wall mounting
Remark 1	Maximum measures energy saver (Ø / L): 7 / 17,5 cm
Remark 2	Only suitable for cavity walls with a maximum thickness of 12 mm
Remark 3	Suitable flush-mount frame, article nr: 925251
Remark 4	Energy labels in your language are available in the Service Area sub point Download
Suitable for lamps from EEC	A
Suitable for lamps up to EEC	A+
Light distribution type 1	direct
Light distribution type 3	asymmetric



The KOTAK WALL recessed luminaire for commercial applications and those with high demands on clear light properties. Available in silvergrey colour version it is prepared for two standard energy-saving lamps with E27 socket. A frosted glass shade gives the lamp its unique character and ensures glare-free lighting properties. KOTAK WALL is supplied ready for direct connection to 230V mains supply. This luminaire is compatible with bulbs of the energy classes: A - A+