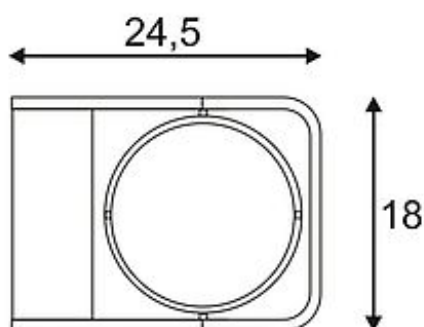
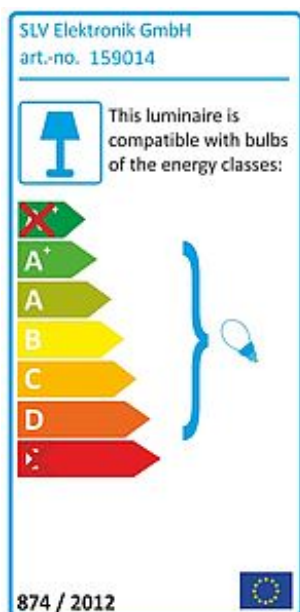


## AIXLIGHT R2 WALL QRB111 wall lamp

semicircular, silvergrey , QRB111, max. 1x 50W



Article number	159014
Catalogue	BIG WHITE 2015, Page 177
Type of lamp	Conventional lamp
Lamp	QRB 111 12V max. 50W
Lampholder / Socket	G53
Number of light sources	1
Lamp included	No
Tilt range	90 Degree
Length	24.5 cm
Width	18 cm
Height	5 cm
Net weight	1.227 kg
Gross weight	1.452 kg
Voltage	230 Volt
Max. wattage	50 Watt
Protection class	I
Material	aluminium
Colour	silvergrey
Way of mounting	surface wall mounting
Remark 1	Inclusive built-in electronic transformer
Remark 2	Energy labels in your language are available in the Service Area sub point Download
Suitable for lamps from EEC	D
Suitable for lamps up to EEC	A+
Light distribution type 1	direct
Light distribution type 3	rotationally symmetric

In keeping with the basic design of the AIXLIGHT R series we offer our AIXLIGHT R2 WALL QRB111, electively available in black, white or silvergrey colour version. A low-voltage and surface-mounted luminaire for the use of halogen lamps with G53 socket. The lamp holder is gimbal-mounted, what guarantees the individual orientation of light. Thanks to the already incorporated transformer, AIXLIGHT R2 WALL QRB111 is ready for direct connection to 230V mains supply. This luminaire is compatible with bulbs of the energy classes: D - A+