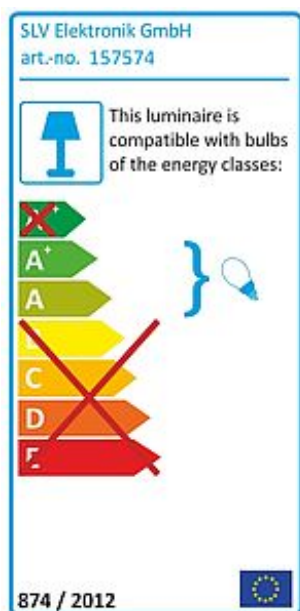
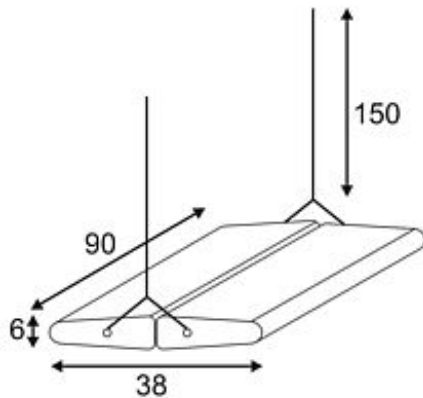


## WORKLIGHT WAVE pendant luminaire PD-1

silvergrey, 2x T5 Energy Saver, 39W



Article number	157574
Type of lamp	Conventional lamp
Lamp	T5 fluorescent bulb 39W
Lampholder / Socket	G5
Number of light sources	2
Lamp included	No
Length	90 cm
Width	38 cm
Height	6 cm
Pendant length	150 cm
Net weight	4.249 kg
Gross weight	2.143 kg
Voltage	230 Volt
Max. wattage	78 Watt
Protection class	I
Material	aluminium / acrylic
Colour	silvergrey
Way of mounting	ceiling mounting pendulum
Remark 1	Electronic ballast incorporated
Remark 2	Calculated acrylic diffuser from BWF
Remark 3	Energy labels in your language are available in the Service Area sub point Download
Energy class ballast	A2
Suitable for lamps from EEC	A
Suitable for lamps up to EEC	A+
Light distribution type 1	direct-indirect
Light distribution type 3	axisymmetric



The WORKLIGHT WAVE pendant luminaire convinces by clear shapes and is designed for the use of two energy-saving T5 fluorescent lamps. Thus, it provides you with the optimal conditions for efficient and stylish use. The acrylic diffusor was calculated by BWF what allows an optimal illuminated workstation with absolutely glare-free illumination properties. Due to the already incorporated ballast, WORKLIGHT WAVE is ready for direct connection to 230V mains supply. This luminaire is compatible with bulbs of the energy classes: A - A+