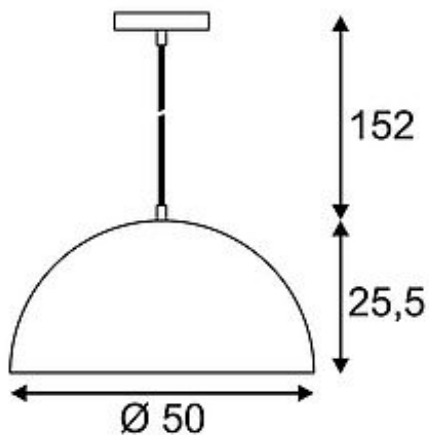


FORCHINI M pendant lamp

PD-1, 50cm, round, black/gold, E27, max. 40W

| | |
|------------------------------|---|
| Article number | 155930 |
| Catalogue | BIG WHITE 2015, Page 69 |
| Type of lamp | Conventional lamp |
| Lamp | E27 230V max. 40W |
| Lampholder / Socket | E27 |
| Number of light sources | 1 |
| Lamp included | No |
| Height | 25.5 cm |
| Diameter | 50 cm |
| Pendant length | 150 cm |
| Net weight | 2.421 kg |
| Gross weight | 4.699 kg |
| Voltage | 230 Volt |
| Max. wattage | 40 Watt |
| Protection class | I |
| Material | aluminium |
| Colour | black / gold |
| Way of mounting | ceiling mounting pendulum |
| Remark 1 | Canopy (Ø / H): 12 / 2 cm |
| Remark 2 | Maximum bulb measures (Ø / L): 6,8 / 18 cm |
| Remark 3 | Energy labels in your language are available in the Service Area sub point Download |
| Suitable for lamps from EEC | E |
| Suitable for lamps up to EEC | A+ |
| Light distribution type 1 | direct |
| Light distribution type 3 | rotationally symmetric |



The FORCHINI M pendant luminaire PD-1 is the bigger version of this series and is equipped with an aluminium-made lampshade which is connected to the chrome-plated ceiling canopy via a fabric cable held in luminaire colour. Optionally available with black or white outer paint you can freely choose between the inner finishes in silver or gold colour finish. In addition to optical aspects, the reflective inner surface also affects the light colour. The FORCHINI M PD-1 is supplied ready for direct connection to 230V mains supply. This luminaire is compatible with bulbs of the energy classes: E - A+