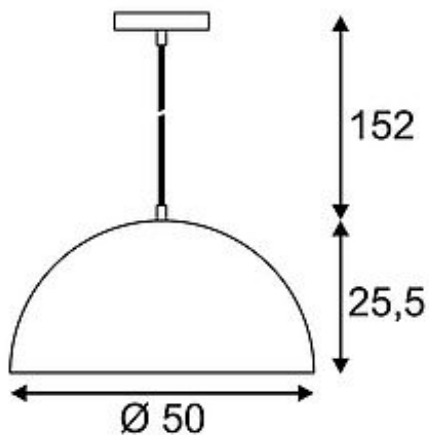


FORCHINI M pendant lamp

PD-1, 50cm, round, black/silver, E27, max. 40W

Article number	155920
Catalogue	BIG WHITE 2015, Page 69
Type of lamp	Conventional lamp
Lamp	E27 230V max. 40W
Lampholder / Socket	E27
Number of light sources	1
Lamp included	No
Height	25.5 cm
Diameter	50 cm
Pendant length	150 cm
Net weight	2.522 kg
Gross weight	3.779 kg
Voltage	230 Volt
Max. wattage	40 Watt
Protection class	I
Material	aluminium
Colour	black / silver
Way of mounting	ceiling mounting pendulum
Remark 1	Canopy (Ø / H): 12 / 2 cm
Remark 2	Maximum bulb measures (Ø / L): 6,8 / 18 cm
Remark 3	Energy labels in your language are available in the Service Area sub point Download
Suitable for lamps from EEC	E
Suitable for lamps up to EEC	A+
Light distribution type 1	direct
Light distribution type 3	rotationally symmetric



The FORCHINI M pendant luminaire PD-1 is the bigger version of this series and is equipped with an aluminium-made lampshade which is connected to the chrome-plated ceiling canopy via a fabric cable held in luminaire colour. Optionally available with black or white outer paint you can freely choose between the inner finishes in silver or gold colour finish. In addition to optical aspects, the reflective inner surface also affects the light colour. The FORCHINI M PD-1 is supplied ready for direct connection to 230V mains supply. This luminaire is compatible with bulbs of the energy classes: E - A+