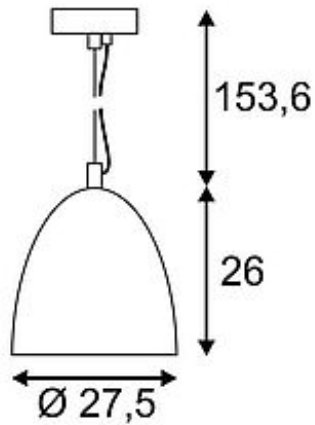


SOPRANA SOLID pendant

PD-2, round, E27, max.40W, concrete, incl. reflector

Article number	155711
Catalogue	BIG WHITE 2015, Page 71
Type of lamp	Conventional lamp
Lamp	E27 230V max. 60W
Lampholder / Socket	E27
Number of light sources	1
Lamp included	No
Height	26 cm
Diameter	27.5 cm
Pendant length	150 cm
Net weight	6.319 kg
Gross weight	3.151 kg
Voltage	230 Volt
Max. wattage	60 Watt
Protection class	I
Material	concrete / steel
Colour	grey / chrome
Way of mounting	ceiling mounting pendulum
Remark 1	Maximum bulb measures (Ø / L): 12,2 / 14,6 cm
Remark 2	Shade made from concrete
Remark 3	Energy labels in your language are available in the Service Area sub point Download
Suitable for lamps from EEC	E
Suitable for lamps up to EEC	A+
Light distribution type 1	direct
Light distribution type 3	axisymmetric



With the SOPRANA SOLID PD-2 pendant luminaire, we offer a new basic design for residential lighting. The structure of the SOPRANA SOLID PD-2 is achieved by a special manufacturing process and makes each lamp a unicum. To create a pleasant and glare-free light, the end of the bulb is covered by a semicircular chrome-plated shell. Prepared for incandescent or energy-saving lamps with E27 socket, SOPRANA SOLID PD-2 is supplied ready for direct connection to 230V mains supply. This luminaire is compatible with bulbs of the energy classes: E - A+