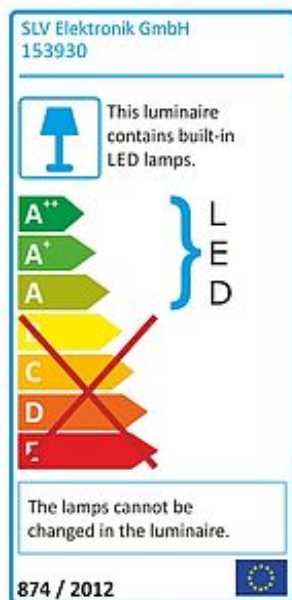
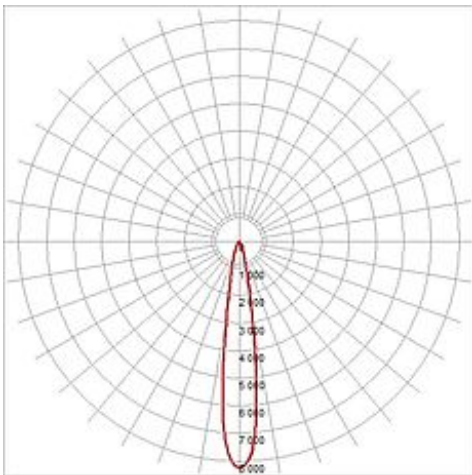
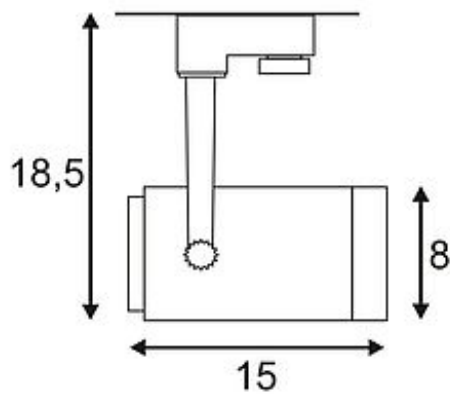


## EURO SPOT INTEGRATED LED

black, 13W, 3000K, 15°, incl. 3-circuit adaptor



|                              |   |
|------------------------------|---|
| Article number               | 153930  |
| Catalogue                    | BIG WHITE 2015, Page 317  |
| Type of lamp                 | LED lamp  |
| Lamp                         | Philips Fortimo LED Integrated Spot-Module  |
| Number of light sources      | 1   |
| Lamp included                | Yes   |
| Tilt range                   | 100 Degree  |
| Rotation range               | 350 Degree  |
| Length                       | 16 cm   |
| Height                       | 17.5 cm   |
| Diameter                     | 8 cm  |
| Net weight                   | 0.838 kg  |
| Gross weight                 | 0.942 kg  |
| Voltage                      | 230 Volt  |
| Max. wattage                 | 12.6 Watt   |
| Protection class             | I   |
| Beam angle                   | 15 Degree   |
| Material                     | aluminium   |
| Colour                       | black   |
| Way of mounting              | track system mounting   |
| Remark 1                     | Equipped with the LED integrated spot module of Philips                             |
| Remark 2                     | The mounted adapter is suitable for all conventional 3 circuit tracks               |
| Remark 3                     | Energy labels in your language are available in the Service Area sub point Download |
| Average lifespan             | 50000 Hours   |
| Colour temperature           | 3000 Kelvin   |
| Colour rendering index       | 80  |
| Luminous flux                | 640 lm  |
| Suitable for lamps from EEC  | A   |
| Suitable for lamps up to EEC | A++   |



Light distribution  
type 1

direct

Light distribution  
type 3

rotationally symmetric

Adjustable high-voltage LED spotlight EUROSPT INTEGRATED LED with suitable adaptor for the 3-circuit high-voltage track system. Within the cylindrical lamp head, the powerful Philips Fortimo Integrated Spot module is fitted. EUROSPT INTEGRATED LED is available in warm or pure white light colours. In addition, we offer versions with three different beam angles. This luminaire contains built-in LED lamps. EEK: A - A++.

The lamps cannot be changed in the luminaire.