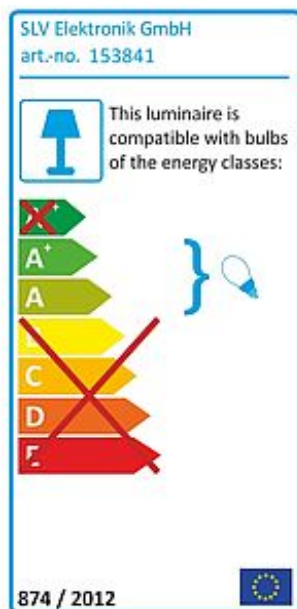
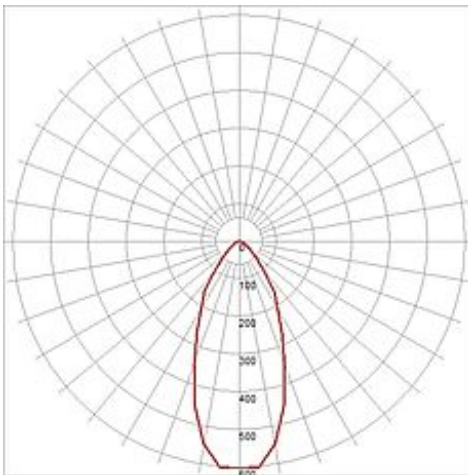


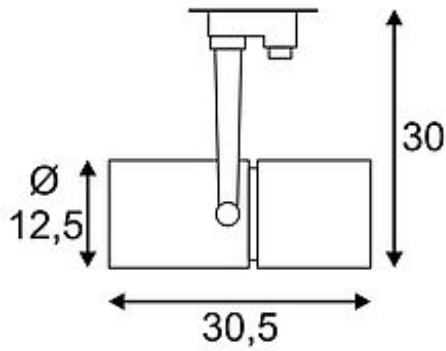
EURO SPOT EVG

white, HQI-T, 50W, 60°, incl. 3-circuit adaptor



| | |
|------------------------------|---|
| Article number | 153841 |
| Catalogue | BIG WHITE 2015, Page 319 |
| Type of lamp | Conventional lamp |
| Lamp | CDM-T ELITE 50W G12 |
| Lampholder / Socket | G12 |
| Number of light sources | 1 |
| Lamp included | No |
| Tilt range | 100 Degree |
| Rotation range | 350 Degree |
| Length | 30.5 cm |
| Height | 30 cm |
| Diameter | 12.5 cm |
| Net weight | 1.99 kg |
| Gross weight | 2.287 kg |
| Voltage | 230 Volt |
| Max. wattage | 50 Watt |
| Protection class | I |
| Beam angle | 60 Degree |
| Material | aluminium |
| Colour | white |
| Way of mounting | track system mounting |
| Remark 1 | Electronic ballast incorporated |
| Remark 2 | The mounted adaptor is suitable for all conventional 3 circuit tracks |
| Remark 3 | Energy labels in your language are available in the Service Area sub point Download |
| Energy class ballast | A2 |
| Suitable for lamps from EEC | A |
| Suitable for lamps up to EEC | A+ |
| Light distribution type 1 | direct |

Light distribution type 3 rotationally symmetric



Adjustable and professional high-voltage spotlight EURO SPOT EVG with suitable adaptor for the 3-circuit high-voltage track system. Designed for G12 discharge lamps, the incorporated ballast makes EURO SPOT EVG suitable for either 35W, 50W or 70W lamps depending on the respective version. Furthermore, we offer different colour versions with different beam angles. The modern electronic ballast is incorporated in the rear part of the lamp head. This luminaire is compatible with bulbs of the energy classes: A - A+