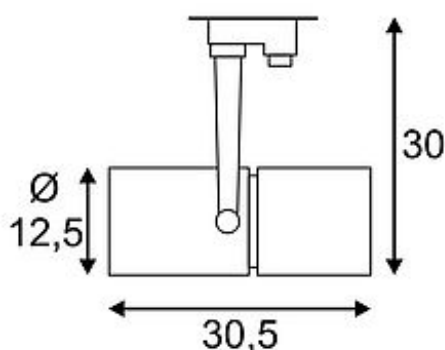


EURO SPOT G12 EVG

15°, white, incl. 3-circuit adaptor, 50W



Article number	153831
Catalogue	BIG WHITE 2015, Page 319
Type of lamp	Conventional lamp
Lamp	HQI-T 50W
Lampholder / Socket	G12
Number of light sources	1
Lamp included	No
Tilt range	100 Degree
Rotation range	350 Degree
Length	30.5 cm
Width	30 cm
Diameter	12.5 cm
Net weight	2.075 kg
Gross weight	0.934 kg
Voltage	230 Volt
Max. wattage	50 Watt
Protection class	I
Beam angle	15 Degree
Material	aluminium / glass
Colour	white
Way of mounting	track system mounting
Remark 1	The mounted adaptor is suitable for all conventional 3 circuit tracks
Remark 2	Electronic ballast incorporated
Remark 3	Energy labels in your language are available in the Service Area sub point Download
Light distribution type 1	direct
Light distribution type 3	rotationally symmetric

Adjustable and professional high-voltage spotlight EURO SPOT EVG with suitable adaptor for the 3-circuit high-voltage track system. Designed for G12 discharge lamps, the incorporated ballast makes EURO SPOT EVG suitable for either 35W, 50W or 70W lamps depending on the respective version. Furthermore, we offer different colour versions with different beam angles. The modern electronic ballast is incorporated in the rear part of the lamp head.