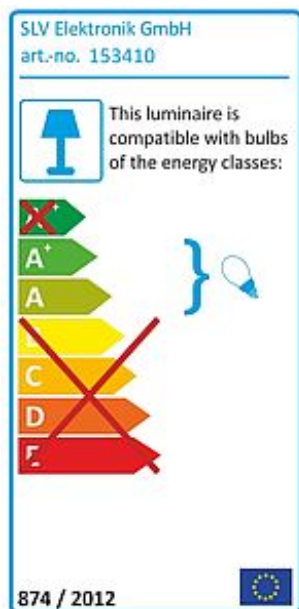
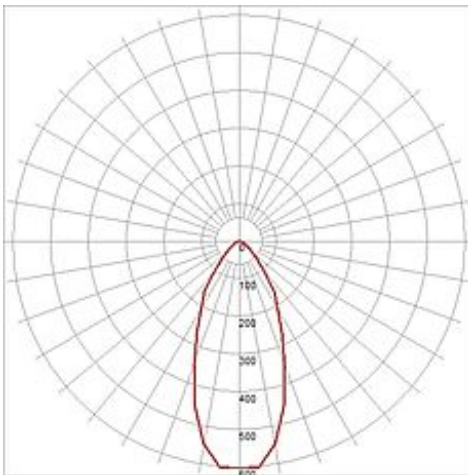


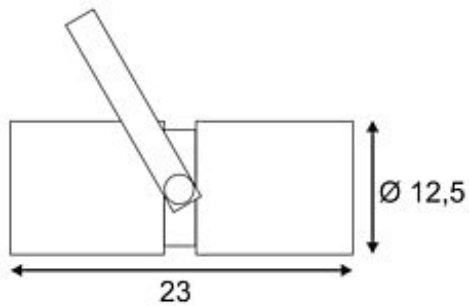
## EURO SPOT G12

60°, matt black, 70W, incl. 3-circuit adaptor



|                              |   |
|------------------------------|---|
| Article number               | 153410  |
| Catalogue                    | BIG WHITE 2015, Page 319  |
| Type of lamp                 | Conventional lamp   |
| Lamp                         | HQI-T / CDM-T 70W   |
| Lampholder / Socket          | G12   |
| Number of light sources      | 1   |
| Lamp included                | No  |
| Tilt range                   | 100 Degree  |
| Rotation range               | 350 Degree  |
| Length                       | 32 cm   |
| Width                        | 16.5 cm   |
| Diameter                     | 12.5 cm   |
| Net weight                   | 2.995 kg  |
| Gross weight                 | 3.248 kg  |
| Voltage                      | 230 Volt  |
| Max. wattage                 | 70 Watt   |
| Protection class             | I   |
| Beam angle                   | 60 Degree   |
| Material                     | aluminium   |
| Colour                       | black   |
| Way of mounting              | track system mounting   |
| Remark 1                     | Conventional ballast incorporated   |
| Remark 2                     | The mounted adaptor is suitable for all conventional 3 circuit tracks               |
| Remark 3                     | Energy labels in your language are available in the Service Area sub point Download |
| Energy class ballast         | A3  |
| Suitable for lamps from EEC  | A   |
| Suitable for lamps up to EEC | A+  |
| Light distribution type 1    | direct  |

Light distribution    rotationally symmetric  
type 3



Adjustable and professional high-voltage spotlight EURO SPOT G12 with suitable adaptor for the 3-circuit high-voltage track system. Designed for G12 discharge lamps, the incorporated ballast makes it suitable for 70W lamps. Furthermore, it is available in several colors and beam angles. The ballast is installed in the rear part of the cylindrical lamp head. This luminaire is compatible with bulbs of the energy classes: A - A+