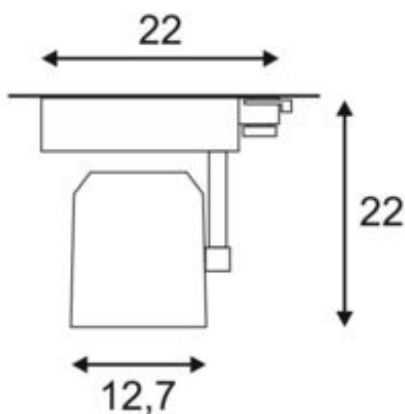
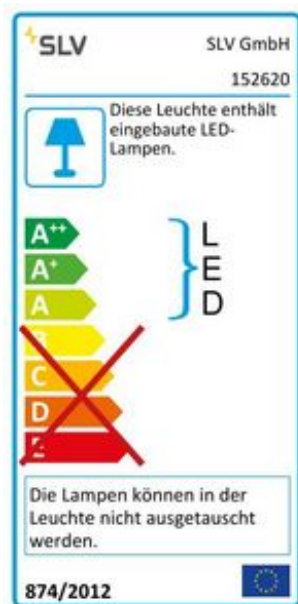
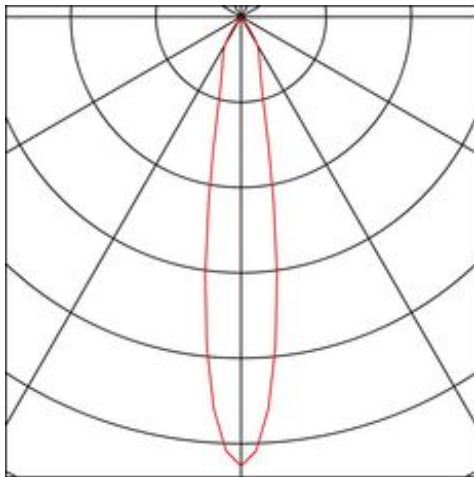


## TRACKSPOT

spot for 240V 3-phase track, LED, 3000K, black, 60° reflector, incl. 3-phase adapter



Article number	152620
Number of light sources	1
Max. wattage	34.8 Watt
Lamp	Philips Fortimo LED SLM Modul
Light distribution type 3	rotationally symmetric
Product family	Supros 3000
Feed-in capability	No
Lamp included	No
Length	24.5 cm
Height	21.5 cm
Diameter	12.7 cm
Net weight	1.566 kg
Gross weight	1.75 kg
Voltage	220-240 ~50/60 . 750 Volts
Protection class	I
Beam angle	60 Degree
Material	Aluminium
Colour	black
Way of mounting	Track mounting
Average lifespan	50000 Hours
Colour temperature	3000 Kelvin
Colour rendering index	80
Luminous flux	2100 lm
Energy efficiency class	A++
fastCalcEnabled	No
ranking	400
Catalogue page	BIG WHITE 2017: 331
Light distribution type 1	Direct



The SUPROS light series impresses with its multitude of possible applications, excellent LED technology and its harmonious design. With its very high luminous flux, the SUPROS product family is ideally suited to replace power-hungry, conventional lighting installations. The wide-area reflector included in the delivers can be replaced by reflectors with narrower beam angles which are optionally available. This can be done without the need for tools. With the factory-installed LED driver, all the luminaires in the series are suitable for direct connection to the 230V mains supply.