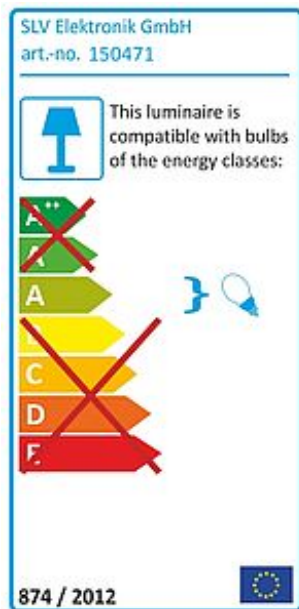
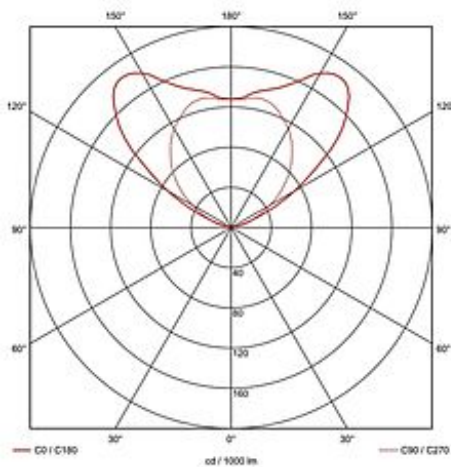
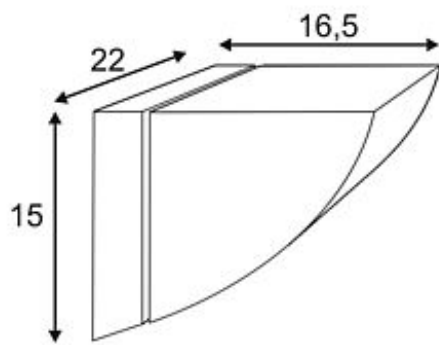


SHELL WL-1 TC-DE wall lamp

white, Energy Saver, 26W



Article number	150471
Catalogue	BIG WHITE 2015, Page 215
Type of lamp	Conventional lamp
Lamp	TC-DE compact fluorescent bulb 26W
Lampholder / Socket	G24q-3
Number of light sources	1
Lamp included	No
Width	22 cm
Height	15 cm
Depth	16.5 cm
Net weight	1.569 kg
Gross weight	2.262 kg
Voltage	230 Volt
Max. wattage	26 Watt
Protection class	I
Material	aluminium
Colour	white
Way of mounting	surface wall mounting
Remark 1	Electronic ballast incorporated
Remark 2	Energy labels in your language are available in the Service Area sub point Download
Energy class ballast	A2
Suitable for lamps from EEC	A
Suitable for lamps up to EEC	A
Light distribution type 1	indirect
Light distribution type 3	axisymmetric



The SHELL WL-1 wall luminaire ensures flooding illumination. Designed for 26W TC-DE energy saving lamps for G24q-3 lampholders and the availability in white or silvergrey colour finish, this technical wall light is ready for direct connection to 230V mains supply, by means of the already incorporated electronic ballast. This luminaire is compatible with bulbs of the energy classes: A - A