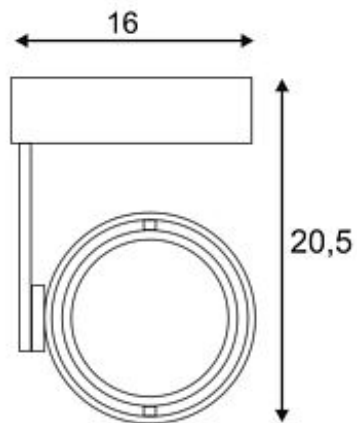


KALU II ES111 wall and ceiling luminaire

alu-brushed, GU10, max. 50W

Article number	147706
Catalogue	BIG WHITE 2015, Page 179
Type of lamp	Conventional lamp
Lamp	ES111 230V max. 50W
Lampholder / Socket	GU10
Number of light sources	1
Lamp included	No
Tilt range	100 Degree
Rotation range	110 Degree
Width	16 cm
Height	20.5 cm
Depth	16 cm
Net weight	0.728 kg
Gross weight	1.101 kg
Voltage	230 Volt
Max. wattage	50 Watt
Protection class	I
Material	aluminium
Colour	aluminium brushed
Way of mounting	surface wall mounting
Remark 1	Energy labels in your language are available in the Service Area sub point Download
Suitable for lamps from EEC	E
Suitable for lamps up to EEC	A++
Light distribution type 1	direct
Light distribution type 3	rotationally symmetric



The puristic design of the wall and ceiling lamp KALU II is a guarantor for absolutely individual alignment of lamp heads, optionally equipped with ES111 halogen or suitable LED lamps. The dimmability of light offers even more installation possibilities. Available in brushed aluminum finish, KALU II is supplied ready for direct connection to 230V mains supply. This luminaire is compatible with bulbs of the energy classes: E - A++