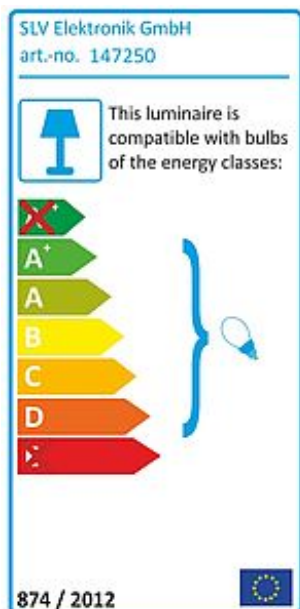
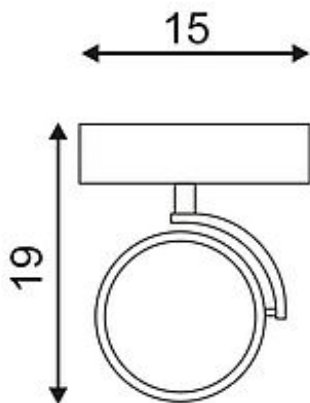


## KALU 1 wall and ceiling luminaire

matt black, QRB111, max. 50W



Article number	147250
Catalogue	BIG WHITE 2015, Page 181
Type of lamp	Conventional lamp
Lamp	QRB 111 12V max. 50W
Lampholder / Socket	G53
Number of light sources	1
Lamp included	No
Tilt range	90 Degree
Rotation range	350 Degree
Width	15 cm
Height	9 cm
Depth	19 cm
Net weight	0.573 kg
Gross weight	13.828 kg
Voltage	230 Volt
Max. wattage	50 Watt
Protection class	I
Material	aluminium
Colour	black
Way of mounting	surface wall mounting / surface ceiling mounting
Remark 1	For wall and ceiling installation
Remark 2	Electronic transformer incorporated
Remark 3	Energy labels in your language are available in the Service Area sub point Download
Suitable for lamps from EEC	D
Suitable for lamps up to EEC	A+
Light distribution type 1	direct
Light distribution type 3	rotationally symmetric



The puristic design of the wall and ceiling lamp KALU is a guarantor for absolutely individual alignment of lamp heads, optionally equipped with QRB halogen or suitable LED lamps. Equipped with soft-start function, the incorporated electronic transformer protects the bulbs from potential damage from overvoltage. The dimmability of light offers even more installation possibilities. Available in matt white, matt black or brushed aluminum colour, KALU is supplied ready for direct connection to 230V mains supply. This luminaire is compatible with bulbs of the energy classes: D - A+