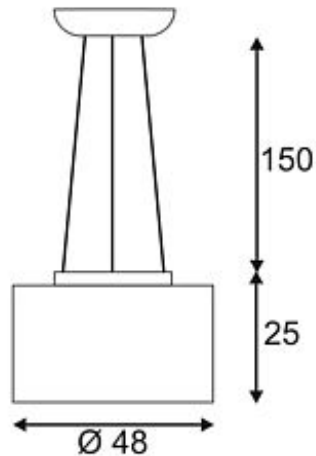


MALANG LED pendant luminaire

with RGB LED and 1x T5 40W

| | |
|------------------------------|---|
| Article number | 147223 |
| Catalogue | BIG WHITE 2015, Page 121 |
| Type of lamp | LED lamp / Conventional lamp |
| Lamp | T5 ring tube 40W (excl.) & 30 3in1 RGB SMD LED (incl.) |
| Lampholder / Socket | 2GX13 |
| Number of light sources | 1 |
| Lamp included | No |
| Height | 25 cm |
| Diameter | 48 cm |
| Pendant length | 150 cm |
| Net weight | 10.236 kg |
| Gross weight | 13.465 kg |
| Voltage | 230 Volt |
| Max. wattage | 50 Watt |
| Protection class | I |
| Material | aluminium / glass |
| Colour | metal brushed |
| Way of mounting | ceiling mounting pendulum |
| Remark 1 | Radio remote control included |
| Remark 2 | 17 scenes to choose. Colours, brightness and speed controlable |
| Remark 3 | Both the T5 ringtube and the LED can be switched separately |
| Remark 4 | Energy labels in your language are available in the Service Area sub point Download |
| Energy class ballast | A2 |
| Suitable for lamps from EEC | A |
| Suitable for lamps up to EEC | A |
| Light distribution type 1 | direct |
| Light distribution type 2 | indirect |



| | |
|---------------------------|------------------------|
| Light distribution type 3 | rotationally symmetric |
| Light distribution type 4 | direct-indirect |

Colour change with exact synchronization specifically tailored to your needs. In addition to the clear and colour-changing LED light, the T5 ring tube provides basic illumination. Thus, the MALANG LED pendant luminaire can be used in pubs, restaurants, hotels but is also intended for use in private premises. Just as you would imagine a real "eye-catcher" with a brilliant colours. The two light sources can be switched separately via external switches. This luminaire is compatible with bulbs of the energy classes: A - A