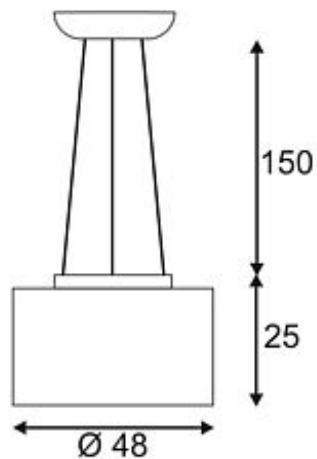


MALANG LED pendant luminaire

slave version, with RGB LED and 1x T5 40W

Article number	147213
Catalogue	BIG WHITE 2015, Page 121
Type of lamp	LED lamp / Conventional lamp
Lamp	T5 ring tube 40W (excl.) & 30 3in1 RGB SMD LED (incl.)
Lampholder / Socket	2GX13
Number of light sources	1
Lamp included	No
Height	25 cm
Diameter	48 cm
Pendant length	150 cm
Net weight	11.251 kg
Gross weight	0.756 kg
Voltage	230 Volt
Max. wattage	49 Watt
Protection class	I
Material	aluminium / glass
Colour	metal brushed
Way of mounting	ceiling mounting pendulum
Remark 1	Both the T5 ringtube and the LED can be switched separately
Remark 2	Energy labels in your language are available in the Service Area sub point Download
Energy class ballast	A2
Suitable for lamps from EEC	A
Suitable for lamps up to EEC	A
Light distribution type 1	direct
Light distribution type 2	indirect
Light distribution type 3	rotationally symmetric



Light distribution type 4 direct-indirect

In addition to the clear and colour-changing LED light, the T5 ring tube provides basic illumination. The two light sources can be switched separately via external switches. To extend the LED MALANG master version we now offer slave devices. The synchronization of these individual slave versions is made via the control signal from the master unit where a remote control is included. The package also includes a ceiling canopy for direct mounting, one master or slave controller, and the remote control including batteries. This luminaire is compatible with bulbs of the energy classes: A - A