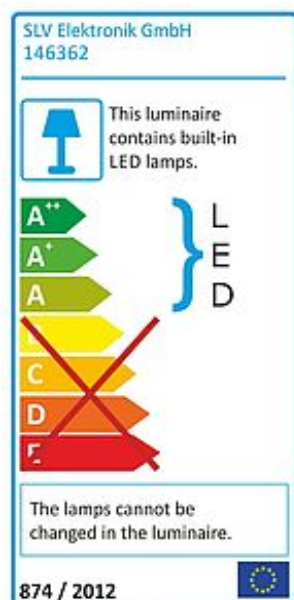
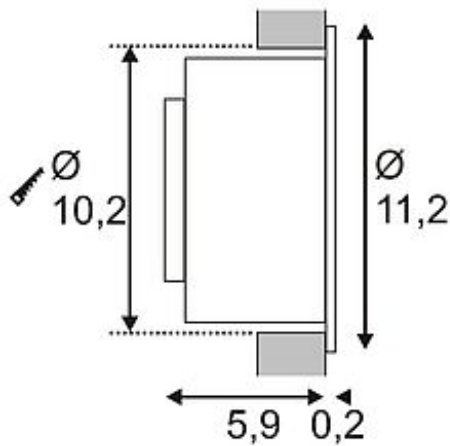


GILALED wall lamp

white, 3W LED, 3000K, incl. position LED , warmwhite



Article number	146362
Catalogue	BIG WHITE 2015, Page 477
Type of lamp	LED lamp
Lamp	Power LED 3W
Number of light sources	1
Lamp included	Yes
Installation diameter	10.2 cm
Installation depth	5.9 cm
Tilt range	190 Degree
Rotation range	355 Degree
Height	6.3 cm
Diameter	11.2 cm
Net weight	0.434 kg
Gross weight	1.187 kg
Max. wattage	3 Watt
Protection class	III
Material	aluminium
Colour	white
Way of mounting	recessed wall mounting
Remark 1	Switching the LEDs by swiveling the inner construction
Remark 2	50 cm connection lead included
Remark 3	Integrated warm white LED light in closed position. Operate with LED Driver 464200 only
Remark 4	Energy labels in your language are available in the Service Area sub point Download
Average lifespan	30000 Hours
Colour temperature	3000 Kelvin
Colour rendering index	82
Luminous flux	135 lm



Suitable for lamps from EEC	A
Suitable for lamps up to EEC	A++
Light distribution type 1	direct

Designed for space-saving recessed wall installation, the GILA LED reading light provides an innovative and user-friendly lighting concept. The elegant luminaire is made from either silvergrey or white coated aluminum and offers professionally manufactured mechanic, along with modern LED technology. If needed, the lamp can be folded out and instead of the white glowing orientation light a powerful and pure white 3W Power LED will appear. To operate the luminaire a suitable constant current driver providing 700mA is required. We strongly recommend our model 464200. This luminaire contains built-in LED lamps. EEK: A - A++. The lamps cannot be changed in the luminaire.