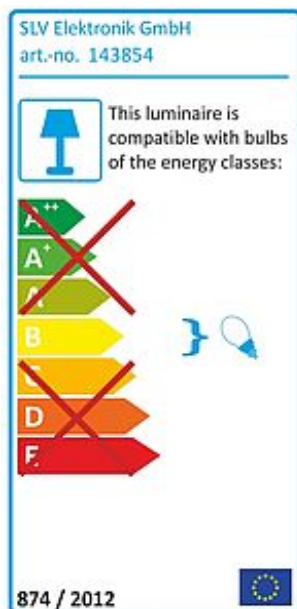
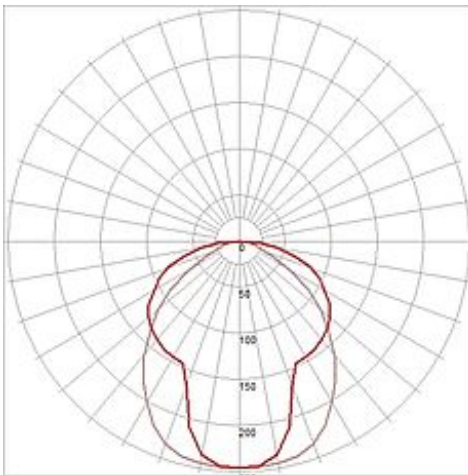
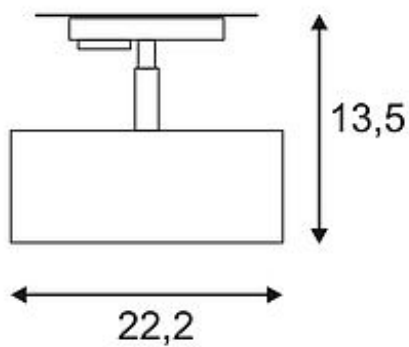


NEPRO 2 26W TC-D Spot

silvergrey, G24d-3, 26W, incl. 1-circuit adaptor



Article number	143854
Type of lamp	Conventional lamp
Lamp	TC-D compact fluorescent bulb 26W
Lampholder / Socket	G24d-3
Number of light sources	1
Lamp included	No
Tilt range	20 Degree
Rotation range	350 Degree
Length	22.2 cm
Width	11.6 cm
Height	13.5 cm
Net weight	1.155 kg
Gross weight	1.243 kg
Voltage	230 Volt
Max. wattage	26 Watt
Protection class	I
Material	aluminium / stainless steel 304
Colour	silvergrey
Way of mounting	track system mounting
Remark 1	Conventional ballast incorporated
Remark 2	Energy labels in your language are available in the Service Area sub point Download
Energy class ballast	B2
Suitable for lamps from EEC	B
Suitable for lamps up to EEC	B
Light distribution type 1	direct
Light distribution type 3	axisymmetric



Adjustable high-voltage spotlight NEPRO 2 with adapter for the 1-circuit high-voltage track system. The combination of incorporated ballast and G24d-3 lampholder makes it suitable for the operation of compact fluorescent lamps. The already installed reflector ensures homogeneous light output. This luminaire is compatible with bulbs of the energy classes: B - B