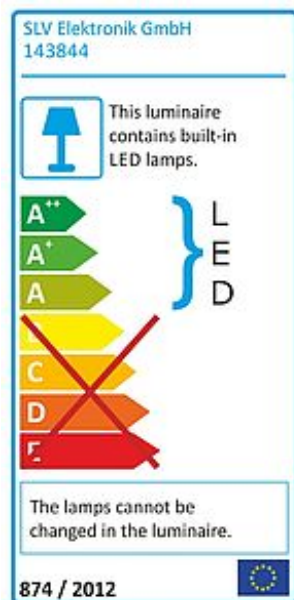
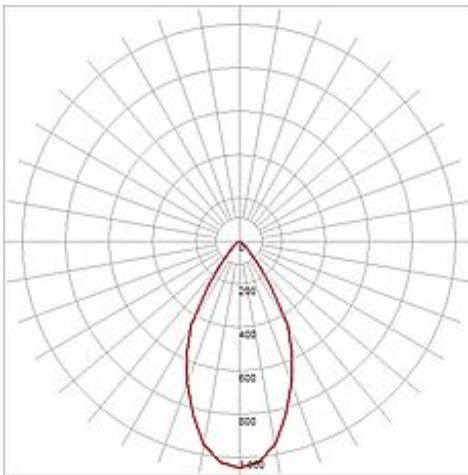
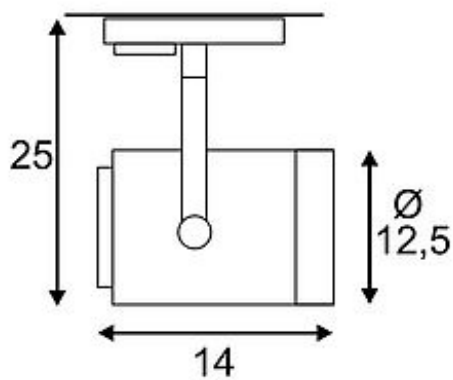


## EURO SPOT LED DISK 800

silvergrey, 11W, 4000K, 60°, incl. 1-circuit adaptor



Article number	143844
Catalogue	BIG WHITE 2015, Page 350
Type of lamp	LED lamp
Lamp	Philips Fortimo LED Disk Module
Number of light sources	1
Lamp included	Yes
Tilt range	100 Degree
Rotation range	350 Degree
Length	14 cm
Height	22 cm
Diameter	12.5 cm
Net weight	1.072 kg
Gross weight	1.261 kg
Voltage	230 Volt
Max. wattage	11 Watt
Protection class	I
Beam angle	60 Degree
Material	aluminium
Colour	silvergrey
Way of mounting	track system mounting
Remark 1	Equipped with the LED Disk module of Philips
Remark 2	Energy labels in your language are available in the Service Area sub point Download
Average lifespan	50000 Hours
Colour temperature	4000 Kelvin
Colour rendering index	>80
Luminous flux	850 lm
Suitable for lamps from EEC	A
Suitable for lamps up to EEC	A++
Light distribution type 1	direct



Light distribution  
type 3

rotationally symmetric

Adjustable high-voltage spotlight EURO SPOT LED DISK with adapter for the 1-circuit high-voltage track system. The powerful Philips Fortimo Integrated Spot module, available in either pure or warmwhite light colour, is placed within the cylindrical lamp head. This luminaire contains built-in LED lamps. EEK: A - A++. The lamps cannot be changed in the luminaire.