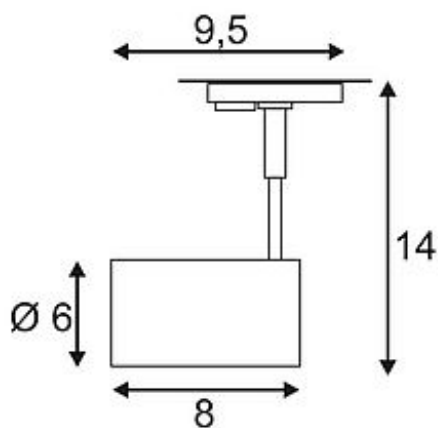
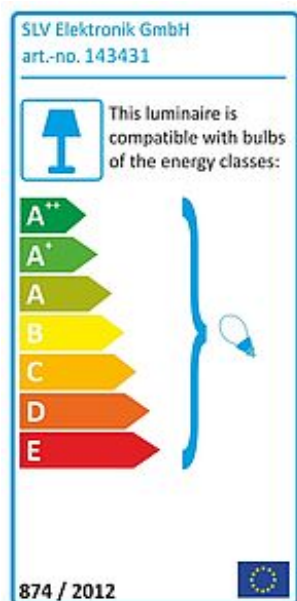


BIMA II lamp head

matt white, 2x GU10, max. 50W, incl. 1-circuit adaptor



| | |
|------------------------------|---|
| Article number | 143431 |
| Catalogue | BIG WHITE 2015, Page 354 |
| Type of lamp | Conventional lamp |
| Lamp | GU10 230V max. 50W |
| Lampholder / Socket | GU10 |
| Number of light sources | 2 |
| Lamp included | No |
| Tilt range | 200 Degree |
| Rotation range | 350 Degree |
| Length | 19.7 cm |
| Width | 13 cm |
| Net weight | 0.516 kg |
| Gross weight | 0.269 kg |
| Voltage | 230 Volt |
| Max. wattage | 100 Watt |
| Protection class | II |
| Material | aluminium |
| Colour | white |
| Way of mounting | track system mounting |
| Remark 1 | Lamp head (Ø / H): 6 / 8 cm |
| Remark 2 | Energy labels in your language are available in the Service Area sub point Download |
| Suitable for lamps from EEC | E |
| Suitable for lamps up to EEC | A++ |
| Suitable for lamps from EEC | E |
| Suitable for lamps up to EEC | A++ |
| Light distribution type 1 | direct |
| Light distribution type 3 | rotationally symmetric |

Double-headed and adjustable high-voltage spotlight BIMA 2 with incorporated adapter for 1-circuit high-voltage track system. The fitting is made from aluminum and the incorporated GU10 lampholder makes it suitable for halogen and LED bulbs. Both lamp heads can be adjusted separately. This luminaire is compatible with bulbs of the energy classes: E - A++ / E - A++