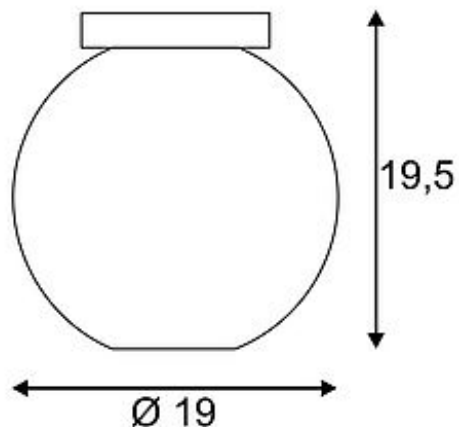


SUN CEILING ceiling luminaire

round, alu/white, E27, max. 75W

Article number	134221
Catalogue	BIG WHITE 2015, Page 237
Type of lamp	Conventional lamp
Lamp	E27 230V max. 75W
Lampholder / Socket	E27
Number of light sources	1
Lamp included	No
Height	19.5 cm
Diameter	19 cm
Net weight	0.723 kg
Gross weight	3.054 kg
Voltage	230 Volt
Max. wattage	75 Watt
Protection class	I
Material	aluminium / glass
Colour	aluminium / white
Way of mounting	surface ceiling mounting
Remark 1	Canopy (Ø / H): 11 / 2 cm
Remark 2	Maximum measures energy saver (Ø / L): 7 / 12 cm
Remark 3	Mouth blown glass-shade. Every lamp is unique
Remark 4	Energy labels in your language are available in the Service Area sub point Download
Suitable for lamps from EEC	E
Suitable for lamps up to EEC	A+
Light distribution type 1	direct-indirect
Light distribution type 3	rotationally symmetric



The smaller version of the spherical high-voltage ceiling lamp SUN consists of a high-quality glass shade containing a chrome-plated retaining bracket made from aluminum. The glass shade is mouth-blown, which makes SUN a steadily unicum. SUN ceiling is supplied ready for direct connection to 230V mains supply. This luminaire is compatible with bulbs of the energy classes: E - A+