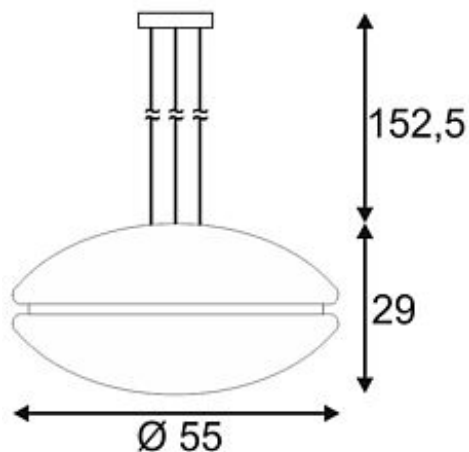


LIPSY 2 pendant luminaire

white, 4x T8 Energy Saver, 32W / 40W

Article number	133722
Catalogue	BIG WHITE 2015, Page 117
Type of lamp	Conventional lamp
Lamp	T8 ring tube bulb 32W & T8 ring tube bulb 40W
Lampholder / Socket	G10q
Number of light sources	2
Lamp included	No
Height	29 cm
Diameter	55 cm
Pendant length	150 cm
Net weight	5.185 kg
Gross weight	1.89 kg
Voltage	230 Volt
Max. wattage	144 Watt
Protection class	I
Material	plastic
Colour	white
Way of mounting	ceiling mounting pendulum
Remark 1	Canopy (Ø / H): 12,5 / 2,5 cm
Remark 2	The upper and lower bowl can be switched individually
Remark 3	Two T8 ring tubes for a homogene light effect
Remark 4	Energy labels in your language are available in the Service Area sub point Download
Energy class ballast	A2
Suitable for lamps from EEC	A
Suitable for lamps up to EEC	A
Light distribution type 1	direct-indirect
Light distribution type 3	rotationally symmetric



The generous pendant luminaire LIPSY DOUBLE contains two acrylic glass shades, which are fixed to a steel retaining bracket. A total of four lampholders for energy-saving 32 and 40 watt T8-ring tubes provide the necessary and homogeneous illumination. Both light sources can be switched separately. Thanks to the already incorporated electronic ballasts, LIPSY DOUBLE pendant is ready for direct connection to 230V mains supply. This luminaire is compatible with bulbs of the energy classes: A - A