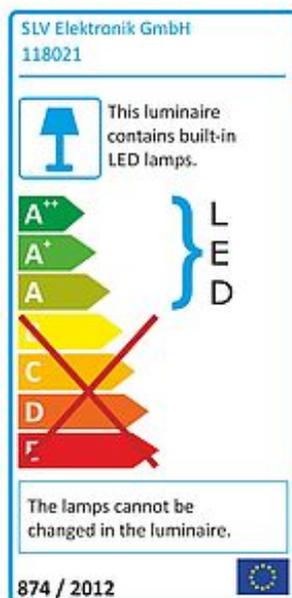
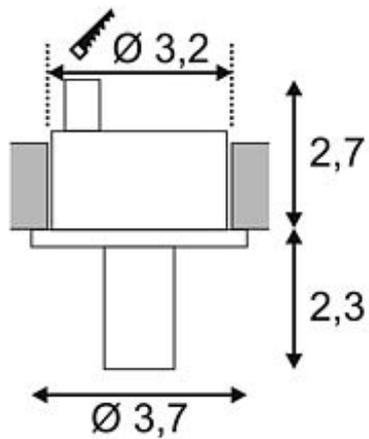


LED Lightpoint Downlight

round, matt white, 1W LED, 3000K



Article number	118021
Catalogue	BIG WHITE 2015, Page 395
Type of lamp	LED lamp
Lamp	Power LED 1W
Number of light sources	1
Lamp included	Yes
Installation diameter	3.2 cm
Installation depth	2.7 cm
Height	5 cm
Diameter	3.7 cm
Net weight	0.073 kg
Gross weight	0.056 kg
Max. wattage	1 Watt
Protection class	III
Material	aluminium
Colour	white
Way of mounting	recessed ceiling mounting
Remark 1	50 cm connection lead included
Remark 2	Operate with suitable 350 mA drivers only
Remark 3	Energy labels in your language are available in the Service Area sub point Download
Average lifespan	35000 Hours
Colour temperature	3000 Kelvin
Colour rendering index	80
Luminous flux	80 lm
Suitable for lamps from EEC	A
Suitable for lamps up to EEC	A++
Light distribution type 1	direct



The LED LIGHTPOINT is equipped with an incorporated Power LED. Available with a white or alu-brushed housing LED LIGHTPOINT is also suitable for decorative lighting. A suitable LED driver is required to operate the downlight. This luminaire contains built-in LED lamps. EEK: A - A++. The lamps cannot be changed in the luminaire.