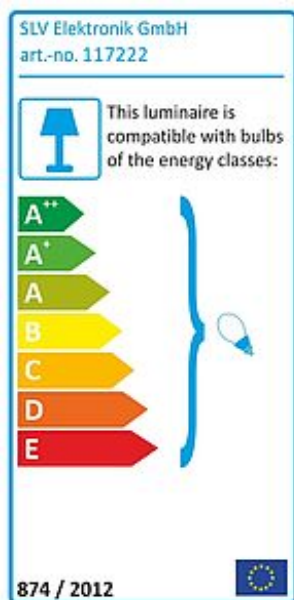
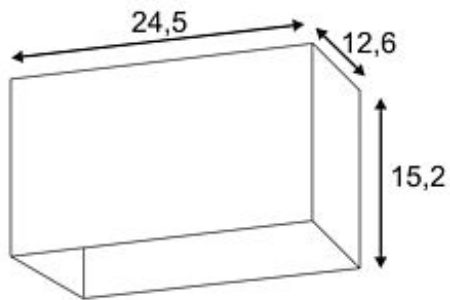


ACRYLBOX DOUBLE GU10

ceiling luminaire, rectangular, black/translucent, max. 2x 50W



Article number	117222
Catalogue	BIG WHITE 2015, Page 257
Type of lamp	Conventional lamp
Lamp	GU10 230V max. 50W
Lampholder / Socket	GU10
Number of light sources	2
Lamp included	No
Tilt range	90 Degree
Rotation range	350 Degree
Length	24.5 cm
Width	12.6 cm
Height	15.2 cm
Net weight	1.345 kg
Gross weight	1.694 kg
Voltage	230 Volt
Max. wattage	100 Watt
Protection class	I
Material	plastic
Colour	black / translucent
Way of mounting	surface ceiling mounting
Remark 1	Energy labels in your language are available in the Service Area sub point Download
Suitable for lamps from EEC	E
Suitable for lamps up to EEC	A++
Light distribution type 1	direct
Light distribution type 3	rotationally symmetric



The high-voltage GU10 version of our ACRYLBOX ceiling luminaire is made from acrylic glass and thus appears in an elegant, black-translucent look. The lampholder is adjustable allowing the individual orientation of light. The ACRYLBOX is supplied ready for direct connection to 230V mains supply. This luminaire is compatible with bulbs of the energy classes: E - A++