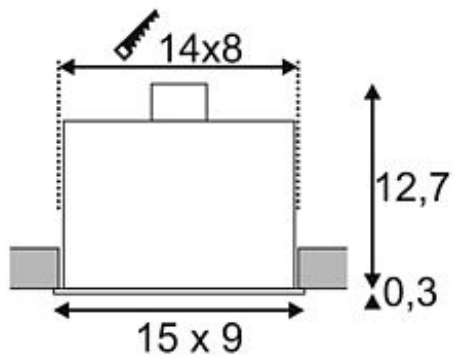


## KADUX 2 GU10 Downlight

eckig, alu brushed, max. 2x50W

Article number	115526
Catalogue	BIG WHITE 2015, Page 431
Type of lamp	Conventional lamp
Lamp	GU10 230V max. 50W
Number of light sources	2
Lamp included	No
Installation length	14 cm
Installation width	8 cm
Installation depth	13 cm
Length	15 cm
Width	9 cm
Height	13 cm
Net weight	0.549 kg
Gross weight	1.812 kg
Voltage	230 Volt
Max. wattage	100 Watt
Protection class	I
Material	aluminium / steel
Colour	aluminium brushed
Way of mounting	recessed ceiling mounting
Remark 1	Suitable for hollow core slabs with a thickness of up to 30 mm
Remark 2	The lamp heads can be rotated and swivelled
Remark 3	Energy labels in your language are available in the Service Area sub point Download
Suitable for lamps from EEC	E
Suitable for lamps up to EEC	A++
Light distribution type 1	direct
Light distribution type 3	rotationally symmetric



The recessed downlight ALU BOX is equipped with multi-directional lamp holders. Available with either one, two or three light outputs, the ALU BOX is designed for the use of GU10 halogen and LED lamps. The inner side of the housing is made from aluminum and painted black, giving the viewer an image of free-floating lamp heads. The aluminium-coloured frame completes the ALU BOX. The luminaire is ready for direct connection to 230V mains voltage. This luminaire is compatible with bulbs of the energy classes: E - A++