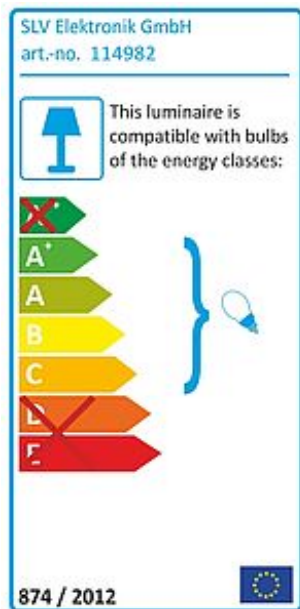
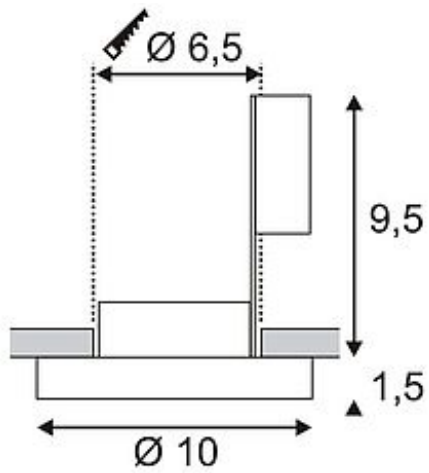


## CHROME DOWNLIGHT round

chrome , MR16, max. 50W



Article number	114982
Type of lamp	Conventional lamp
Lamp	MR16 12V max. 50W
Lampholder / Socket	GU5,3
Number of light sources	1
Lamp included	No
Installation diameter	6.5 cm
Installation depth	10 cm
Height	11 cm
Diameter	10 cm
Net weight	0.205 kg
Gross weight	0.67 kg
Voltage	12 Volt
Max. wattage	50 Watt
Protection class	III
Material	aluminium
Colour	chrome
Way of mounting	recessed ceiling mounting
Remark 1	Cover (Ø / H): 10 / 1,5 cm
Remark 2	Only suitable for ceilings with a maximum thickness of 14 mm
Remark 3	Energy labels in your language are available in the Service Area sub point Download
Suitable for lamps from EEC	C
Suitable for lamps up to EEC	A+
Light distribution type 1	direct
Light distribution type 3	rotationally symmetric



The low-voltage CHROM DOWNLIGHT is made from aluminium. Designed for the use of low-voltage halogen lamps, a suitable transformer providing 12V alternating current is required for operation. This luminaire is compatible with bulbs of the energy classes: C - A+