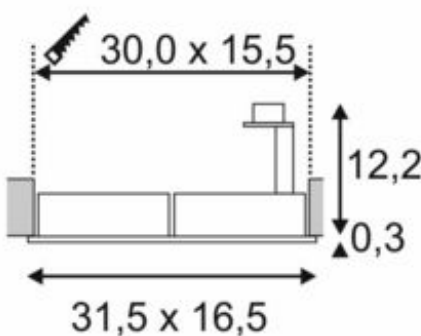


NEW TRIA

recessed fitting, double-headed, QR111, rectangular, matt black, max. 150W, incl. clip springs



Article number	113810
Light distribution type 1	Direct
Feed-in capability	No
LBS code	QR111
Lamp	QR111
Lampholder / Socket	G53
Number of light sources	2
Lamp included	No
Installation length	29.7 cm
Installation width	15.5 cm
Installation depth	12.5 cm
Tilt range	40 Degree
Rotation range	360 Degree
Length	31.5 cm
Width	16.5 cm
Height	12.5 cm
Net weight	0.768 kg
Gross weight	0.923 kg
Voltage	12 ~50 Volts
Max. wattage	75 Watt
Protection class	III
Material	Aluminium
Colour	matt black
Way of mounting	Recessed ceiling mounting
Energy efficiency class	A+
fastCalcEnabled	No
ranking	200
Catalogue page	BIG WHITE 2017: 433

The square low-voltage QRB version of our popular NEW TRIA recessed fitting series is available with black, white or brushed aluminium housings. The generous rotation and pivoting range of this recessed spot guarantees you the ability to individually focus its light beam, regardless of whether you choose to use halogen or LED retrofit lamps. For operation of the NEW TRIA 2 recessed fitting you only need a matching transformer with 12V alternating current.