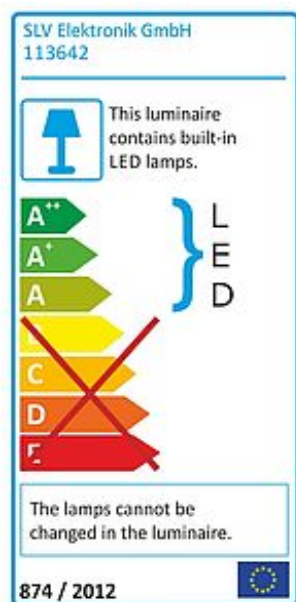
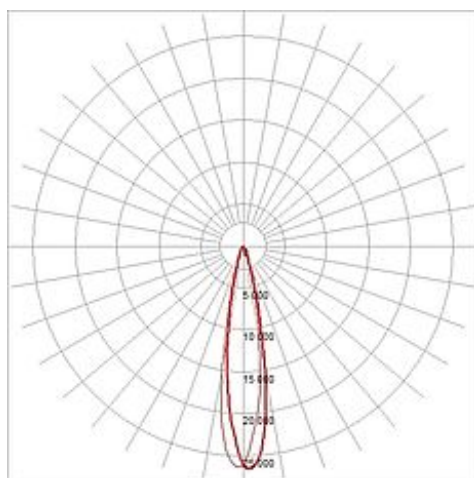
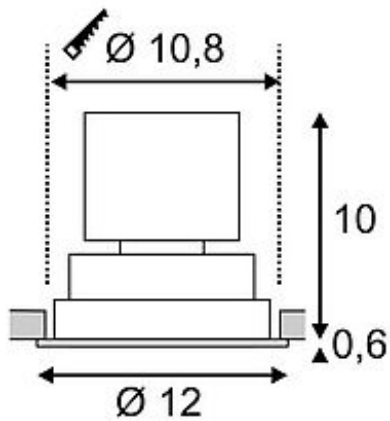


TRITON 6 downlight

round, matt white, 6x 3W LED warmwhite, adjustable



| | |
|-----------------------------|---|
| Article number | 113642 |
| Catalogue | BIG WHITE 2015, Page 398 |
| Type of lamp | LED lamp |
| Lamp | Power LED 3W |
| Number of light sources | 6 |
| Lamp included | Yes |
| Installation diameter | 10.8 cm |
| Installation depth | 13.5 cm |
| Tilt range | 60 Degree |
| Rotation range | 20 Degree |
| Height | 12 cm |
| Diameter | 12 cm |
| Net weight | 0.631 kg |
| Gross weight | 0.382 kg |
| Max. wattage | 18 Watt |
| Protection class | III |
| Beam angle | 25 Degree |
| Material | aluminium |
| Colour | white |
| Way of mounting | recessed ceiling mounting |
| Remark 1 | 30 cm connection lead included |
| Remark 2 | Operate with suitable 700 mA drivers only |
| Remark 3 | Only suitable for ceilings with a maximum thickness of 20 mm |
| Remark 4 | Energy labels in your language are available in the Service Area sub point Download |
| Average lifespan | 30000 Hours |
| Colour temperature | 3000 Kelvin |
| Colour rendering index | 80 |
| Luminous flux | 900 lm |
| Suitable for lamps from EEC | A |



| | |
|------------------------------|------------------------|
| Suitable for lamps up to EEC | A++ |
| Light distribution type 1 | direct |
| Light distribution type 3 | rotationally symmetric |

The TRITON 6 LED downlight is adjustable and equipped with six Power LED of 3W each, optionally available in pure or warmwhite light colour. Available in matt white and anodized silver colour finish, TRITON 6 can be used as recessed wall or ceiling lamp. In addition, it contains a mini-plug for simplified connection via an optionally available connector strip. A suitable constant current driver providing 700mA is required for operation. This luminaire contains built-in LED lamps. EEK: A - A++. The lamps cannot be changed in the luminaire.