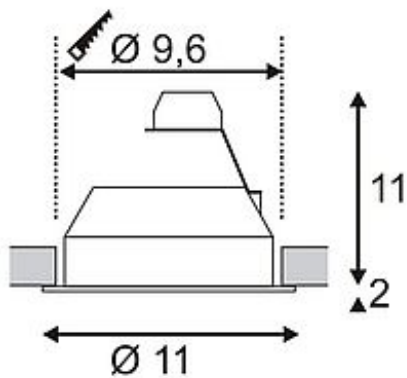


## TWISTER ES111 downlight

round , silvergrey, GU10, max. 75W

|                              |   |
|------------------------------|---|
| Article number               | 112854  |
| Catalogue                    | BIG WHITE 2015, Page 426  |
| Type of lamp                 | Conventional lamp   |
| Lamp                         | ES111 230V max. 75W   |
| Lampholder / Socket          | GU10  |
| Number of light sources      | 1   |
| Lamp included                | No  |
| Installation diameter        | 9.6 cm  |
| Installation depth           | 13 cm   |
| Tilt range                   | 45 Degree   |
| Height                       | 13 cm   |
| Diameter                     | 11 cm   |
| Net weight                   | 0.321 kg  |
| Gross weight                 | 0.378 kg  |
| Voltage                      | 230 Volt  |
| Max. wattage                 | 75 Watt   |
| Protection class             | I   |
| Material                     | aluminium   |
| Colour                       | silvergrey  |
| Way of mounting              | recessed ceiling mounting   |
| Remark 1                     | In addition a frame can be used   |
| Remark 2                     | Only suitable for suspended ceilings with a maximum thickness between 5 - 20 mm     |
| Remark 3                     | Energy labels in your language are available in the Service Area sub point Download |
| Suitable for lamps from EEC  | E   |
| Suitable for lamps up to EEC | A++   |
| Light distribution type 1    | direct  |
| Light distribution type 3    | rotationally symmetric  |



Our TWISTER downlight series is the individual recessed set for shops and exhibitions. The TWISTER ES111 high-voltage module is available in white, silvergrey and chrome finish and can be used inside the different installation and cover frames. The adjustable lampholder guarantees individual orientation of light. The downlight is supplied ready for direct connection to 230V mains supply. This luminaire is compatible with bulbs of the energy classes: E - A++