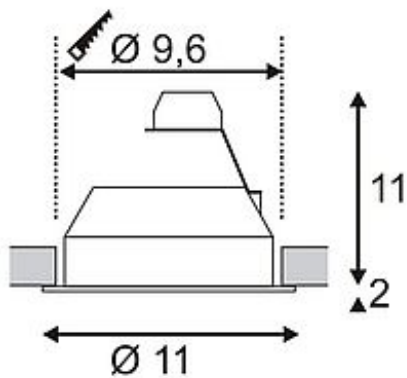


TWISTER ES111 downlight

round , chrome, GU10, max. 75W

Article number	112852
Catalogue	BIG WHITE 2015, Page 426
Type of lamp	Conventional lamp
Lamp	ES111 230V max. 75W
Lampholder / Socket	GU10
Number of light sources	1
Lamp included	No
Installation diameter	9.6 cm
Installation depth	12 cm
Tilt range	45 Degree
Height	13 cm
Diameter	11 cm
Net weight	0.328 kg
Gross weight	0.424 kg
Voltage	230 Volt
Max. wattage	75 Watt
Protection class	I
Material	aluminium
Colour	chrome
Way of mounting	recessed ceiling mounting
Remark 1	In addition a frame can be used
Remark 2	Only suitable for suspended ceilings with a maximum thickness between 5 - 20 mm
Remark 3	Energy labels in your language are available in the Service Area sub point Download
Suitable for lamps from EEC	E
Suitable for lamps up to EEC	A++
Light distribution type 1	direct
Light distribution type 3	rotationally symmetric



Our TWISTER downlight series is the individual recessed set for shops and exhibitions. The TWISTER ES111 high-voltage module is available in white, silvergrey and chrome finish and can be used inside the different installation and cover frames. The adjustable lampholder guarantees individual orientation of light. The downlight is supplied ready for direct connection to 230V mains supply. This luminaire is compatible with bulbs of the energy classes: E - A++