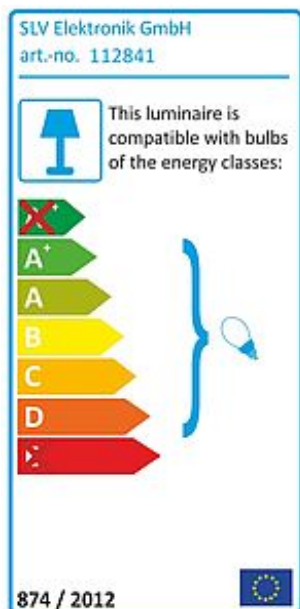
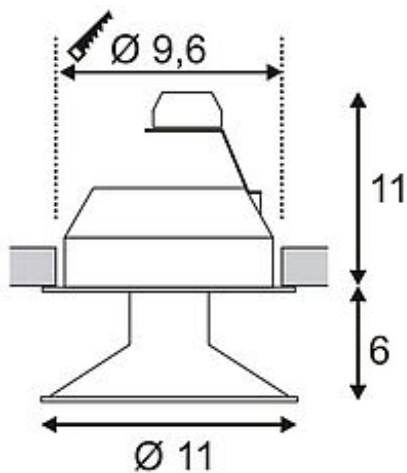


TWISTER QRB111 downlight

round, white, max. 75W



Article number	112841
Catalogue	BIG WHITE 2015, Page 426
Type of lamp	Conventional lamp
Lamp	QRB 111 12V max. 75W
Lampholder / Socket	G53
Number of light sources	1
Lamp included	No
Installation diameter	9.6 cm
Installation depth	11 cm
Tilt range	45 Degree
Height	17 cm
Diameter	11 cm
Net weight	0.367 kg
Gross weight	0.137 kg
Voltage	12 Volt
Max. wattage	75 Watt
Protection class	III
Material	aluminium
Colour	white
Way of mounting	recessed ceiling mounting
Remark 1	For operation a suitable 12V transformer is required
Remark 2	Only suitable for suspended ceilings with a maximum thickness between 5 - 20 mm
Remark 3	In addition a frame can be used
Remark 4	Energy labels in your language are available in the Service Area sub point Download
remark5	For operation a suitable 12V transformer is required
Suitable for lamps from EEC	D
Suitable for lamps up to EEC	A+



Light distribution
type 1

direct

Light distribution
type 3

rotationally symmetric

Our TWISTER downlight series is the individual recessed set for shops and exhibitions. The TWISTER QRB low-voltage module is available in white, silvergrey and chrome finish and can be used inside the different installation and cover frames. The adjustable lampholder guarantees individual orientation of light. To operate the downlight a suitable transformer providing 12V alternating current is required. This luminaire is compatible with bulbs of the energy classes: D - A+