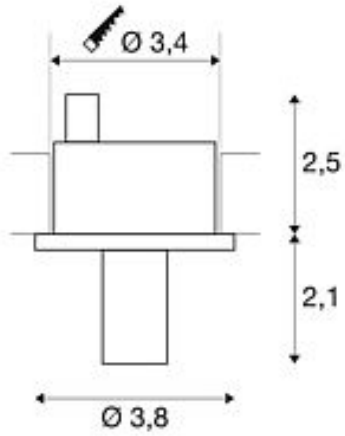


## LIGHTPOINT

recessed fitting, LED, round, matt white, 3000K

Article number	1001156
Feed-in capability	No
Lamp included	No
Installation diameter	3.4 cm
Installation depth	3 cm
Height	4.6 cm
Diameter	3.75 cm
Net weight	0.058 kg
Gross weight	0.079 kg
Voltage	350mA
Protection class	III
Average lifespan	30000 Hours
Colour temperature	3000 Kelvin
Colour rendering index	80
Luminous flux	100 lm
Energy efficiency class	A++
Way of mounting	Recessed mounted / Ceiling recessed
Colour	white
Form	round
Light distribution type 1	diffuse
Material	Aluminium/steel/PMMA

The LIGHTPOINT LED point outlet is available in housing colours white and brushed aluminium. A suitable LED driver operates the recessed light. This luminaire has integrated bulbs in energy classes: A - A++



## Notes

---

---

---