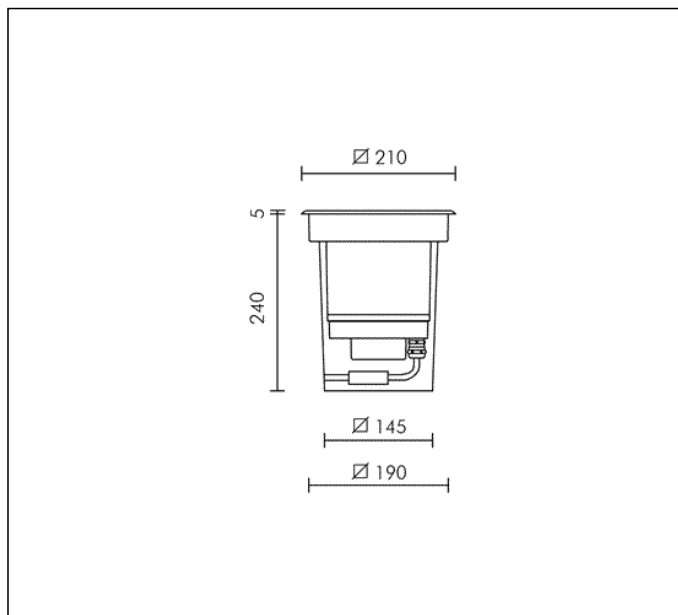
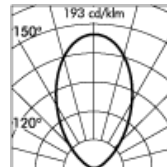
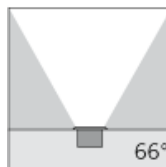


## TECHNICAL DATA SHEET ART. S.7880SC - ZIP SQUARE

Version is available on request



TC-TEL 18W Gx24q-2 1200lm  
 Rated luminaire luminous flux: 348lm  
 Rated input power: 22W  
 Luminaire efficacy: 16lm/W (LOR: 29%)  
 Electronic ballast 230÷240V 50Hz



h(m)	E(lx)			
5	0	0	0	0
4	1	1	0	0
3	2	1	1	0
2	6	2	1	0
1	40	4	0	0
0.2 m	0	1	2	3 (m)



### PRODUCT TYPE

Inground walk over fitting. Recessing depth 240 mm. IP rating IP 67

### MATERIAL CHARACTERISTICS

"Copper Free" Aluminium die cast housing in EN AB-44100 with high resistance against corrosion. Stone wash surface treatment prior to painting process. 2 mm thick front trim in aluminium. A4 grade Stainless Steel screws with 2,5-3% molybdenum content which increases the resistance against corrosion. Pre treated Silicone Gaskets. Painting Process : 3 Step Process

1) Surface treatment with BONDERITE. A heavy metal free chemical surface treatment containing ceramic nano particles giving a cohesive, inorganic and highly dense protective coating. 2) PRE POLYMERIZATION a process of introducing an epoxy primer with excellent characteristics to the paint which also offers very high resistance to oxidation due to its Zinc content. 3) POLYMERIZATION a process with the application of polyester powder with high resistance against UV rays and harsh weather conditions. Resistance test protection for Marine applications for 1200h. Mechanical resistance IK 09 Maximum load capacity 1000 Kg

### LIGHTING PERFORMANCE

Reflector in 99.98% pure anodized aluminium. Toughened acid-etched glass 10mm thick. Lamp fixed position. LOR 29%

### LOW SURFACE TEMPERATURE

Surface temperature of glass 54°C (Ta 25°C)

### RECESSING BOX

Polypropylene recessing box with cable entry on all 4 sides also allows: 1) Easy wiring; 2) Cable management for fast connector; 3) Easy access to the fitting for maintenance purposes.

### WIRING

Supply 0.5m cable section type H07RN-F secured by cable gland PG 13.5 (Ø 6÷12 mm) and sealed with B component epoxy resin, wired internally protected by silicon sheaths. Front re-lamping without removing the complete fitting. Isolation: CLASS I. Available colours: Aluminium grey (cod.14). Weight: 3.8 Kg Glow Wire test: 850°C

**Lamp included.**

**This luminaire is compatible with bulbs of the energy classes: B. The luminaire is sold with a bulb of the energy class: B (Regulation UE 874/2012).**

**TECHNICAL DATA SHEET ART. S.7880SC - ZIP SQUARE  
INCLUDED ACCESSOIRES**



FAST CONNECTOR INCLUDED

**ACCESSORIES**



CAS7873



CAS7873