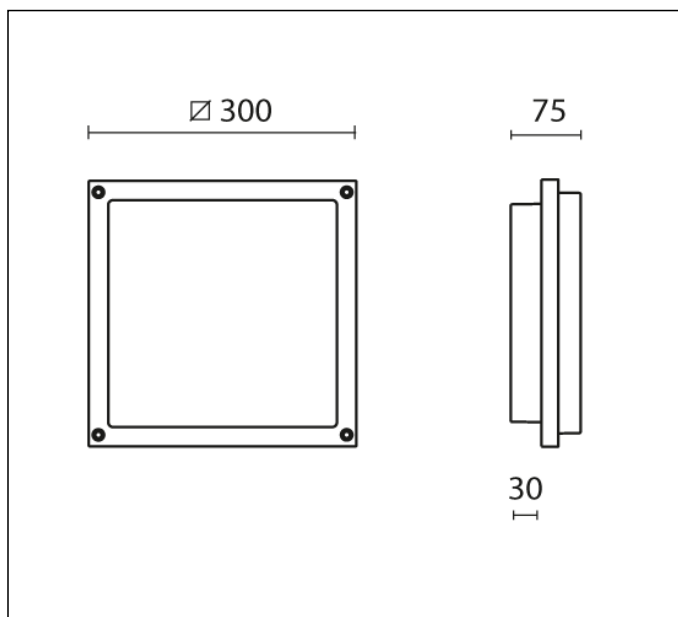


TECHNICAL DATA SHEET ART. S.6991N - ZEN SQUARE 300mm EMERGENCY

Version is available on request



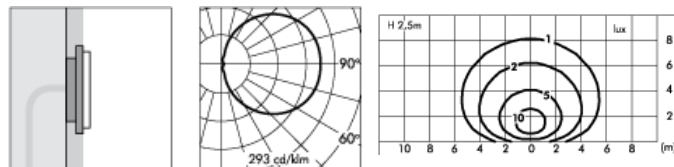
MODULES LED 4000K 230V 2106lm CRI 90 MacAdam step 3

Rated luminaire luminous flux: 1173lm

Rated input power: 22W

Luminaire efficacy: 53lm/W

Electronic ballast 230V 0/50/60Hz



* Photometric measured using WHITE LED 3000K



PRODUCT TYPE

Wall mounted luminaire. IP rating IP 65

MATERIAL CHARACTERISTICS

Aluminium die cast housing in EN AB-47100 (low copper content) with high resistance against corrosion. Stone wash surface treatment prior to painting process. A4 grade Stainless Steel screws with 2,5-3% molybdenum content which increases the resistance against corrosion. Transparent silicone gaskets. Painting Process : 3 Step Process

1) Surface treatment with BONDERITE. A heavy metal free chemical surface treatment containing ceramic nano particles giving a cohesive, inorganic and highly dense protective coating. 2) PRE POLYMERIZATION a process of introducing an epoxy primer with excellent characteristics to the paint which also offers very high resistance to oxidation due to its Zinc content. 3) POLYMERIZATION a process with the application of polyester powder with high resistance against UV rays and harsh weather conditions. Resistance test protection for Marine applications for 1200h. Mechanical resistance IK 06

LIGHTING PERFORMANCE

Glass diffuser 5mm thick acid-etched, white painted internally. Lamp fixed position. LOR --

WIRING

ZEN supplied with emergency inverter and battery to supply 1 hour emergency lighting in the case of a mains failure (3 hour emergency version available on request). . Complies with CEI EN 60598-2-22.

Supply double cable entry. Isolation: CLASS I . Available colours: White (cod.01), Aluminium grey (cod.14). Weight: 2.1 Kg Glow Wire test: 850°C

Lamp included.

ZEN REGISTERED DESIGN

This luminaire contains built-in LED modules with energy class: A, A+, A++. In case of damage or malfunction please contact the manufacturer to receive additional instructions on how to replace and relative spare parts to order. The LED modules cannot be handled in the luminaire by the end user (Regulation UE 874/2012).

LED circuit boards are engineered accordingly to actual Lumen Maintenance regulation (LM80) and Technical Memorandum (TM21) where uniformity and quality of light is 50.000 hours referred to L70 B20 Ta 25°C.

Lifecycle refers to LED circuit boards only, all others components of the luminaire are excluded.

TECHNICAL DATA SHEET ART. S.6991N - ZEN SQUARE 300mm EMERGENCY ACCESSORIES



S.6259
RECESSED BOX
(suitable for fair faced concrete applications)
Dim. 290mm x 290mm x 80mm